



GARDINO





CONFLUO GARDINO

SHAPE: Square

USAGE: Yards and open garage spaces

DETAILS: Square shape, small size of the frame, stainless steel, adjustable to the slope, modern design, functional

SIZE: Minimum height of the drain (all bases, except for the S base): 92 mm
Minimum height of the drain with S base: 84 mm

FEATURES:

- A simple model with good features
- Made from modern materials with high level of system security
- Keeps leaves out
- High flow
- Drainage add-on

SETS OF DRAINS CONFLUO GARDINO

IRON 1	IRON 2
Article number 13200001	Article number 13200002



OPTIONAL



IRRETRIEVABLE VALVE

Article number
13500002



CORK

Article number
13500003



HYDRO INSULATION

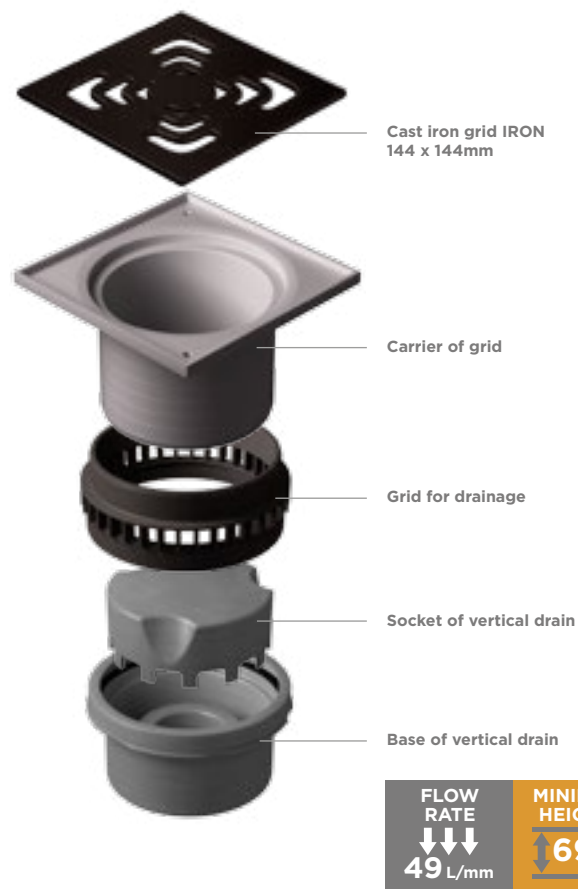
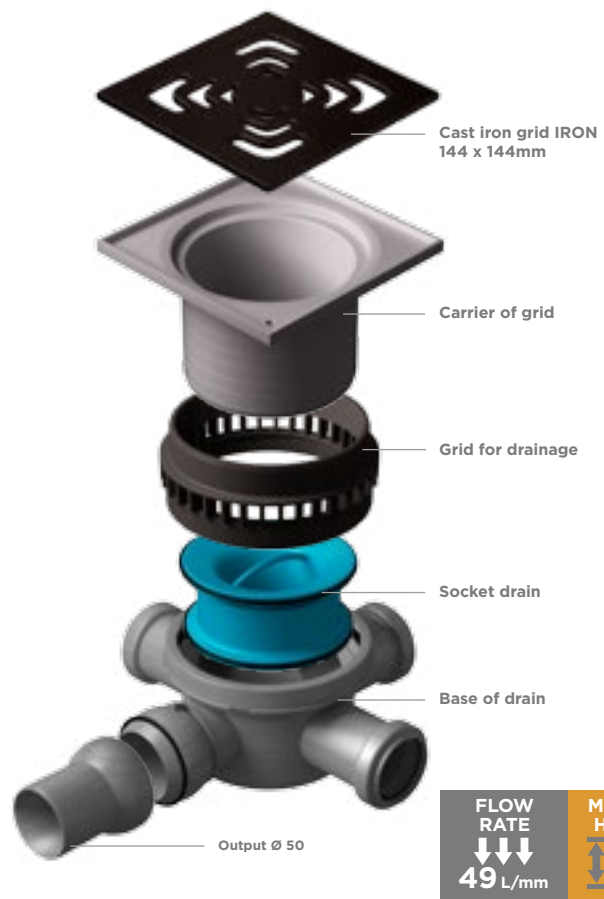
Article number
13500001

IRON 3

Article number
13200003

IRON 4

Article number
13200004

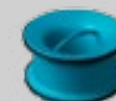


OPTIONAL



IRRETRIEVABLE
VALVE

Article number
13500002



SOCKET

Article number
13500003



CORK

Article number
13500003



HYDRO
INSULATION

Article number
13500001