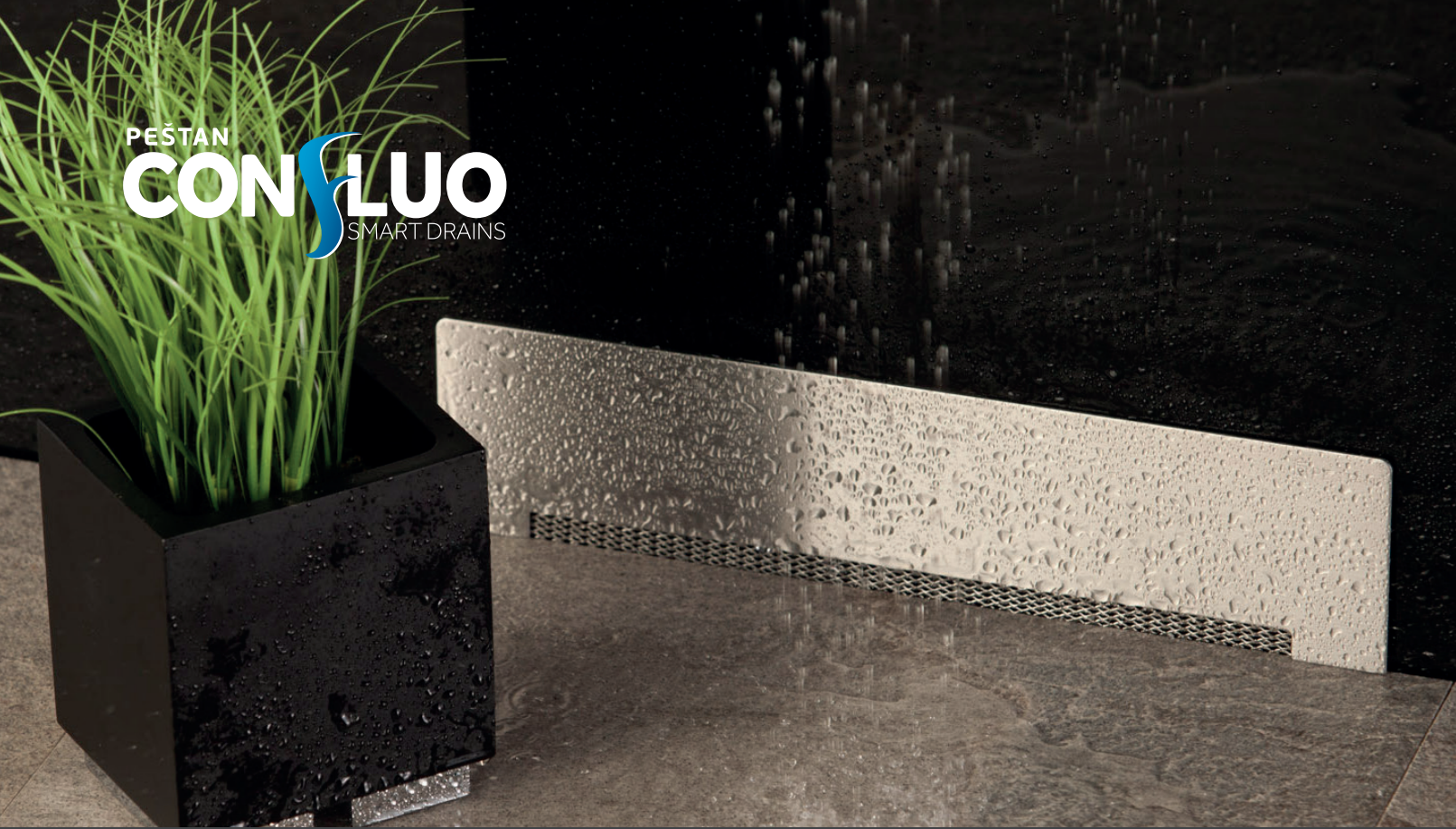


# CONFLUO PREMIUM DRAIN“WALL”





# CONFLUO PREMIUM DRAIN “WALL”

## Technology

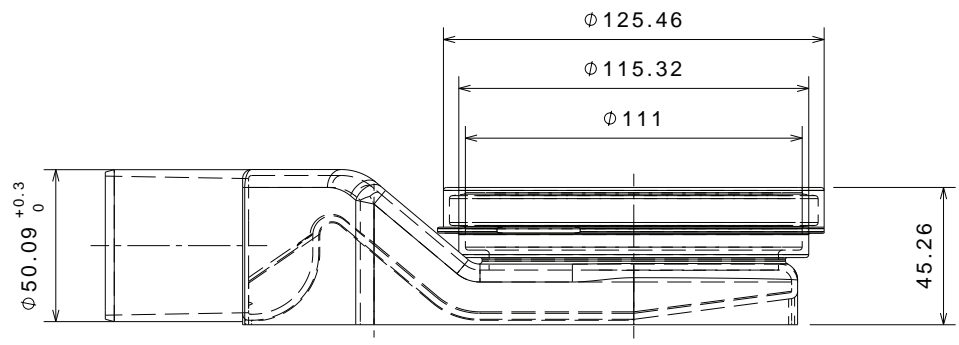
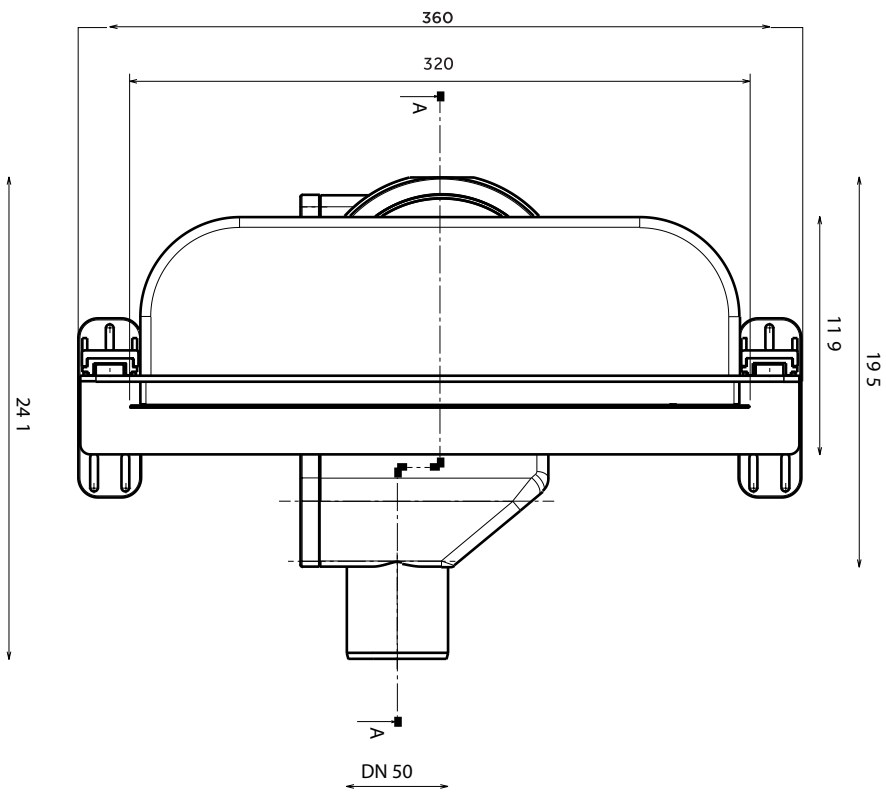
PEŠTAN presents you Confluo brand with its sophisticated solutions that meet the needs of many designers and architects. New CONFLUO drain unites several modern solutions and represents a complete solution for water drainage in the modern bathroom. It is produced with one, two or three inputs and output with adjustable angle. Siphon design is created with high functionality, in order to prevent the entrance of sewer gases, even in cases when the water completely evaporates in the drain.

## Design

PEŠTAN WALL drain is designed by highest standards. There are two different metal grids. Simple metal grid and for high demanded buyers 24K gold plated grid. The drain is made for easy use and simple installation.

## Installation

Steps and guides for installation

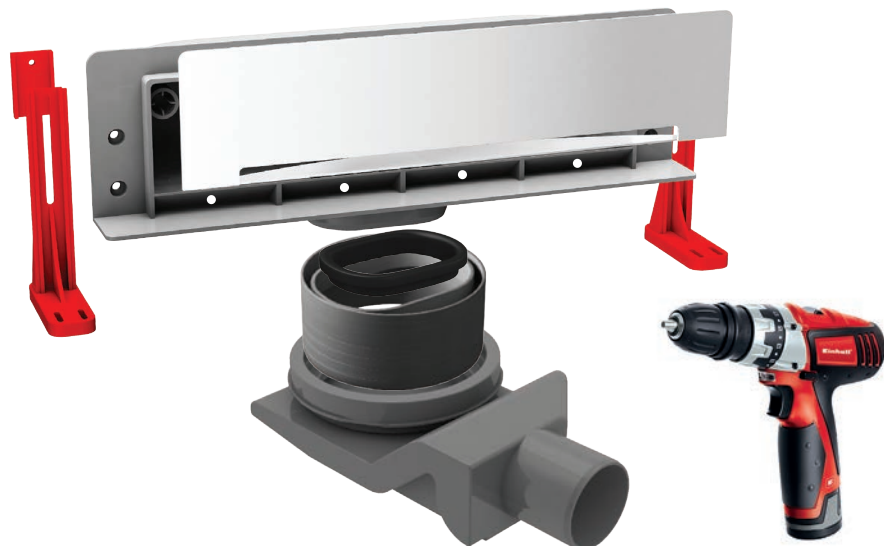




Adjustable by height. Minimum installation height 56mm.



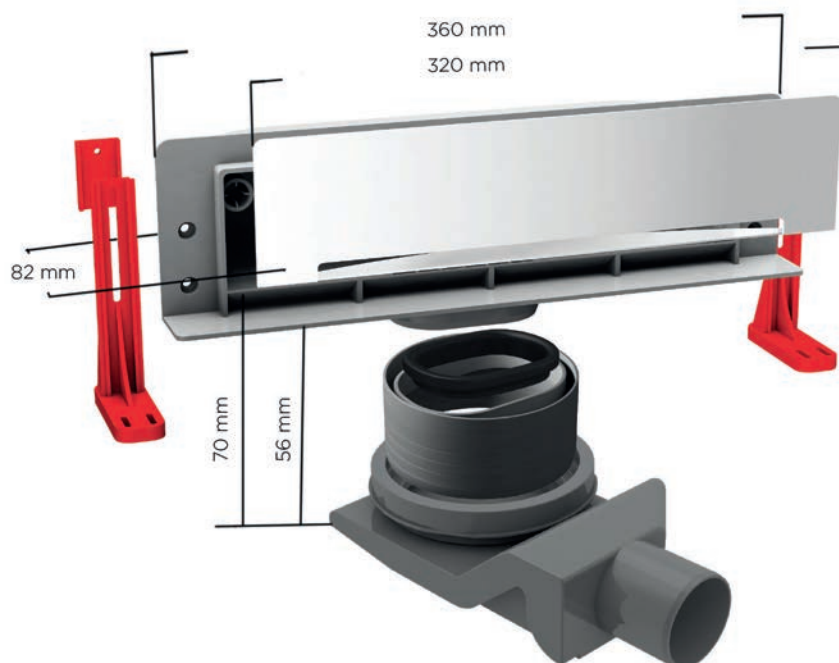
The S base can be rotated 360.



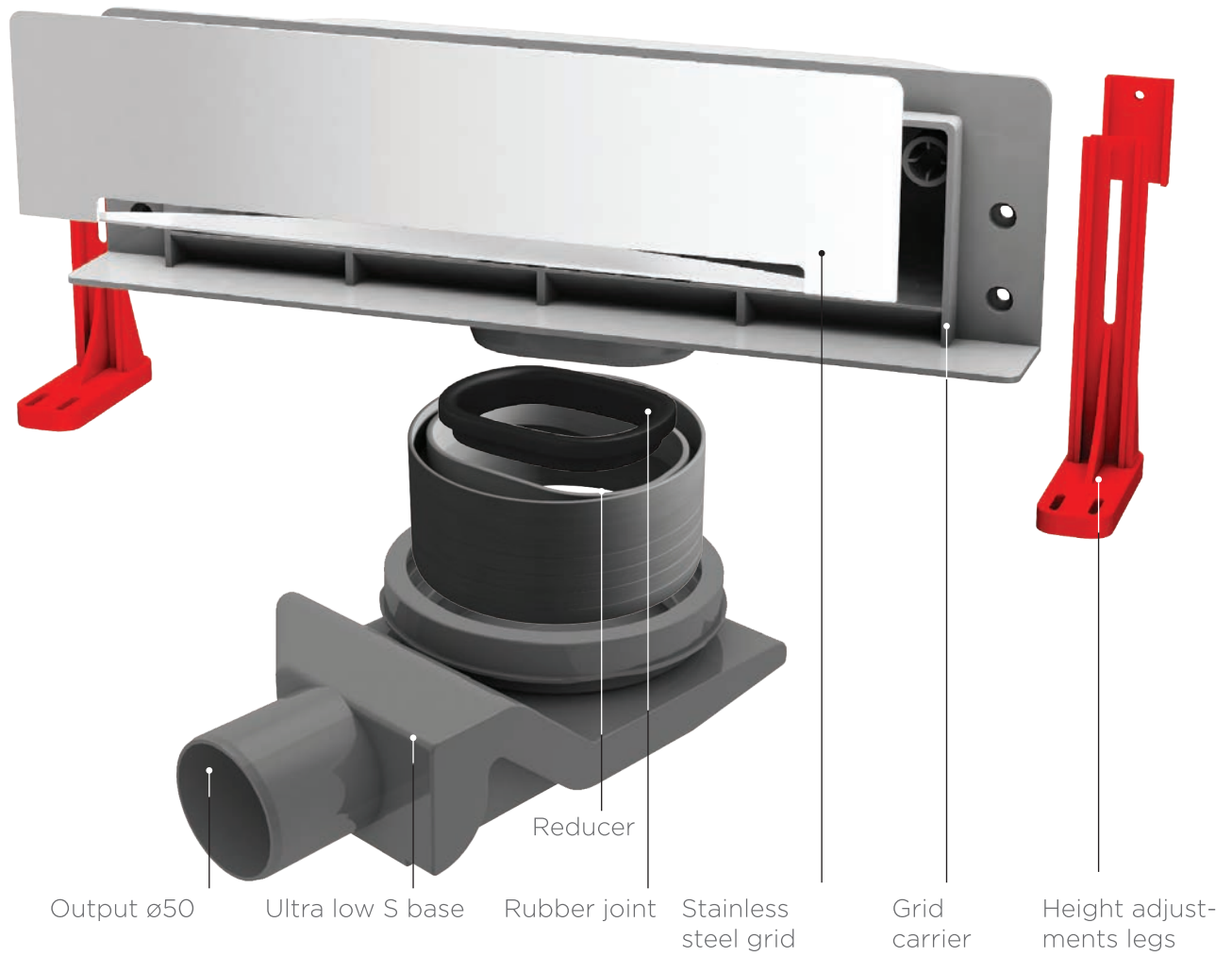
Leaking chambers. 5mm holes should be made in chambers before installation where in case of possible erosion of grout water can go back to drain.



Ideal for renovation projects.  
Confluo Premium Drain "Wall" thanks to very low installation depth and height and innovative technical solution makes him perfect model for all renovation project.







SIDE VIEW



TOP VIEW



BACK VIEW

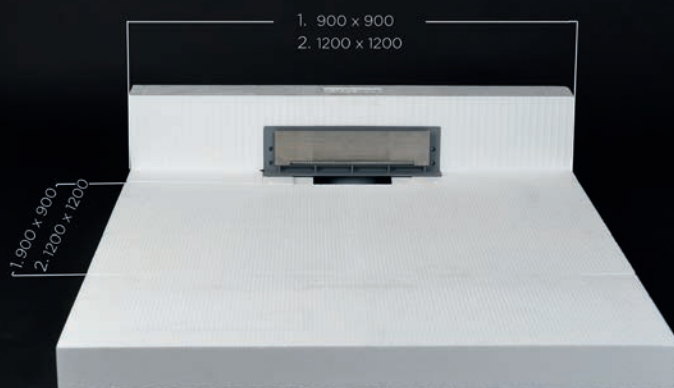
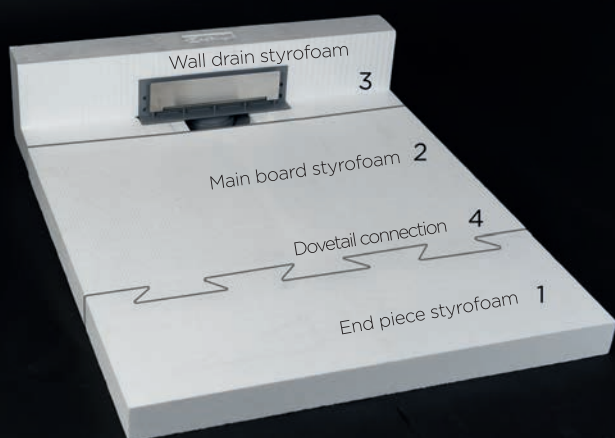


FRONT VIEW



# CONFLUO PREMIUM DRAIN “PREINSTALLED WALL”

CONFLUO PREMIUM DRAIN “PREINSTALLED WALL” represents result of constant searching for better solution for our clients worldwide. Model have 10cm thick, pre installed styrofoam with multiple selection of sizes of boards and factory installed hydro isolation fabric. In every board you have already made slope so this saves a lot of time and effort during installation and makes this perfect DIY model.

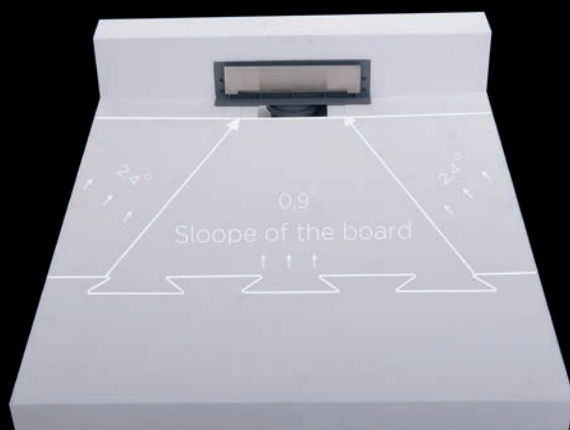


## PARTS AND CONNECTION

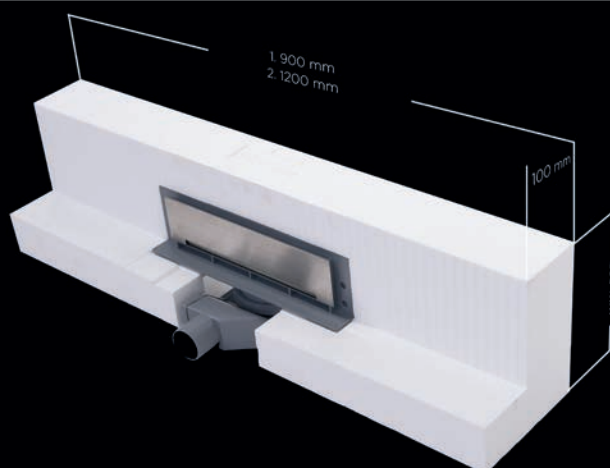
1. End piece styrofoam
2. Main board styrofoam
3. Wall drain styrofoam
4. Dovetail connection

## DIMENSIONS OF MAIN BOARD

1. 900mm x 900mm
2. 1200mm x 1200mm



## SLOOPE OF BOARD



## DIMENSIONS OF WALL DRAIN STYROFOAM

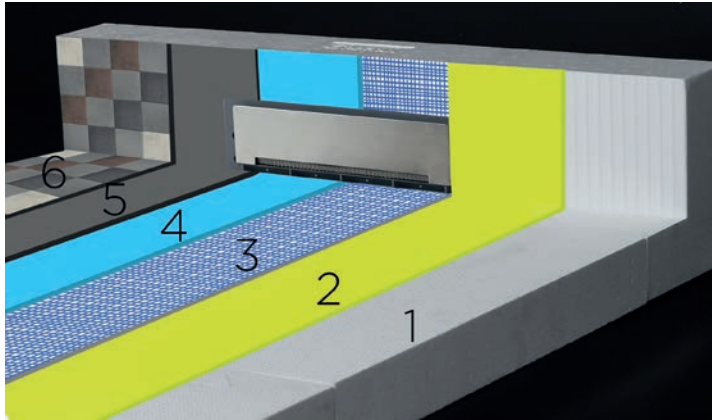
1. Lenght 900mm x Height 250 mm x Depth 100 mm
2. Lenght 1200mm x Height 250 mm x Depth 100 mm





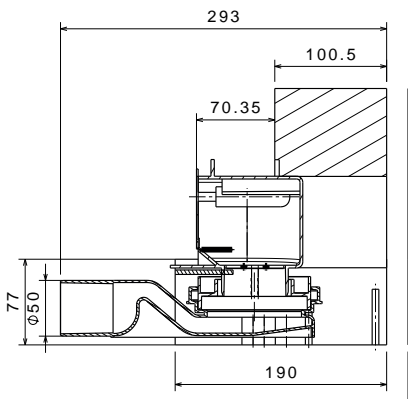
PEŠTAN  
**CONFLUO**  
SMART DRAINS

# Installation and technical drawings

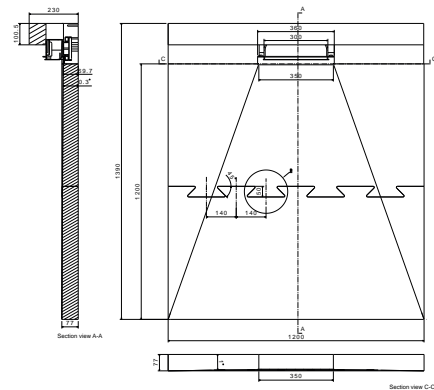


- 1. 80mm thick styrofoam
- 2. Factory installed hydro isolation fabric
- 3. Alkali - resistant web
- 4. Waterproofing layer
- 5. Glue for tiles
- 6. Tiles

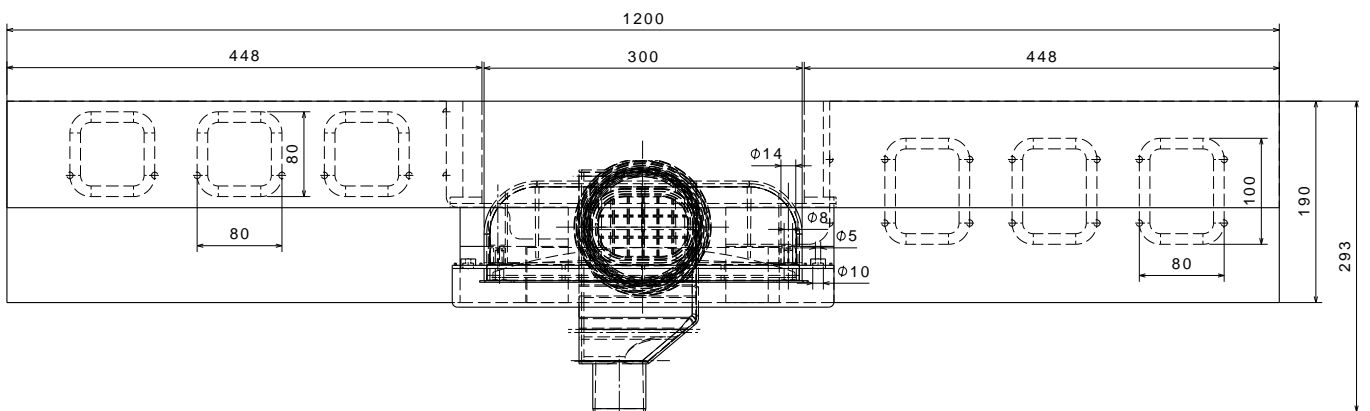
Installation layers



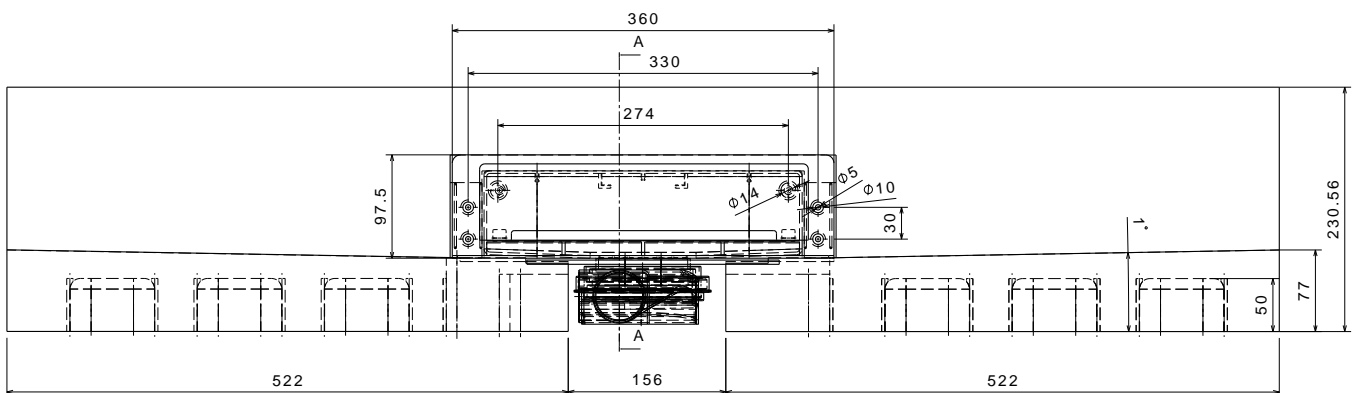
Wall styrofoam - Side view



Board styrofoam - Bird eye view



WALL styrofoam - Bird eye view



WALL styrofoam - Front view



PEŠTAN  
**CONFLUO**  
SMART DRAINS











+381 034 700 300  
OFFICE@PESTAN.NET

1300 KAPLARA 189  
ARANĐELOVAC  
34300 SRBIJA

WWW.PESTAN.NET