

CONFLUO BLACK GLASS, WHITE GLASS, CERAMIC 2



CONFLUO BLACK GLASS, WHITE GLASS, CERAMIC 2

CONFLUO STANDARD drain “BLACK/WHITE GLASS/CERAMIC 2” made of PP with one horizontal side inlet DN40 and with one horizontal DN 50mm outlet adjustable under the angle of maximum 15°, minimum installation height of 78mm and flow rate of 48l/min.

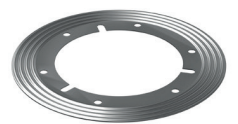
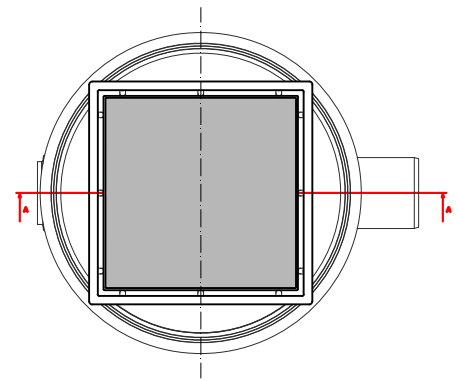
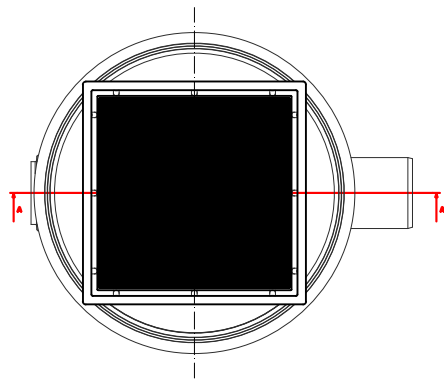
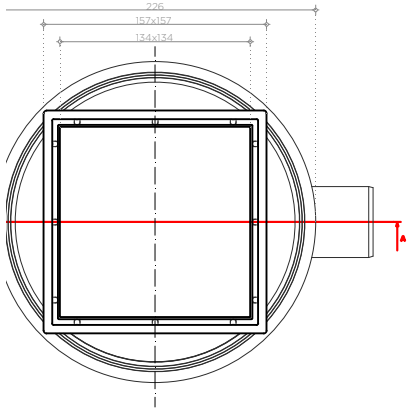
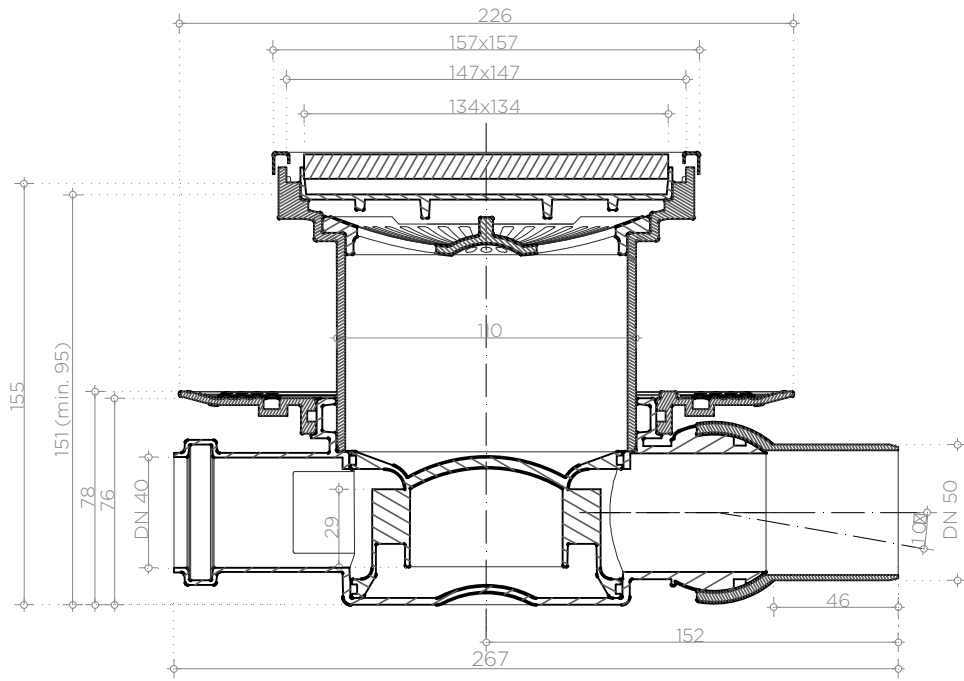
Base of drain with a socket (siphon), which can be removed, water sealing height of 34mm, with hoop and flange for hydroisolation, which also can be removed if necessary, height-adjustable carrier of a grid and hair stopper.

Stainless steel mask and tempered black/white glass or ceramic holder, dimensions of 144x144 mm.

IMPORTANT TECHNICAL INFORMATION	
Minimum installation height	78mm
Flow rate	48 l/min
Outlet	Ø50
Water seal height	34 mm
Grid load class (by EN 1253)	K3 with stand 300 kg of pressure
Body material	PP

DRAIN ADVANTAGE:

- Adjustable angle by 15°
- Base rotation 360°
- Installation in the corner of the bathroom
- Easy installation and maintenance
- High flow rate



Hydroisolation flange optional

CODE	NAME	WEIGHT	BOX DIMENSIONS
13000090	CONFLUO "BLACK GLASS 2 LARGE" 15X15	1,408kg	300mmx200mmx250mm
13000094	CONFLUO "WHITE GLASS 2 LARGE" 15X15	1,408kg	300mmx200mmx250mm
13000086	CONFLUO "CERAMIC 2 LARGE" 15X15	1,084kg	300mmx200mmx250mm
13000188	CONF "BLACK GLASS 2 LARGE" 15X15 NO FLNG	1,304kg	300mmx200mmx250mm
13000184	CONF "WHITE GLASS 2 LARGE" 15X15 NO FLNG	1,306kg	300mmx200mmx250mm
13000192	CONFLUO "CERAMIC 2 LARGE" 15X15 NO FLNG	0,980kg	300mmx200mmx250mm

