

CONFLUO BLACK GLASS, WHITE GLASS, CERAMIC 3



CONFLUO BLACK GLASS, WHITE GLASS, CERAMIC 3

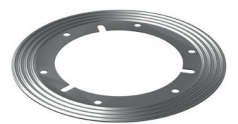
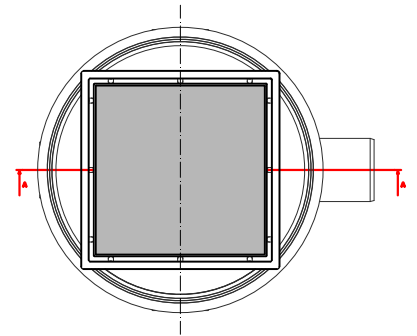
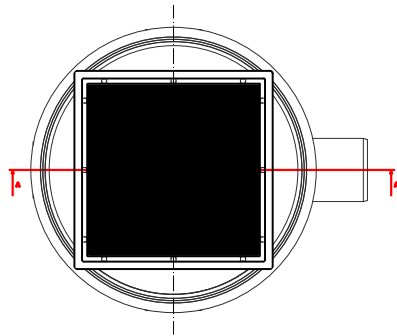
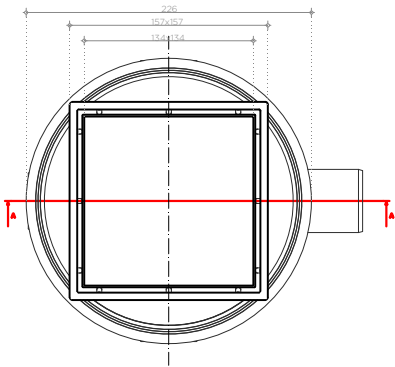
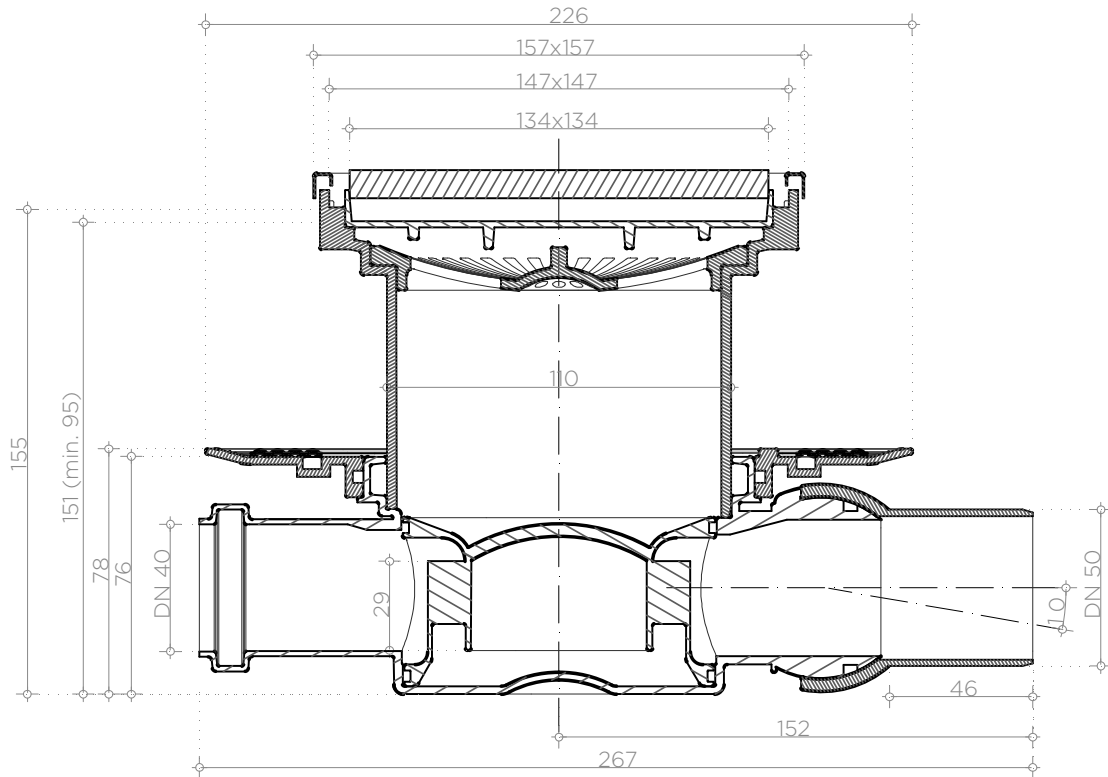
CONFLUO STANDARD drain “BLACK/WHITE GLASS/CERAMIC 3” made of PP with three horizontal side inlets DN40 and with one horizontal DN 50mm outlet adjustable under the angle of maximum 15°, minimum installation height of 78mm and flow rate of 48l/min. Base of drain with a socket (siphon), which can be removed, water sealing height of 34mm, with hoop and flange for hydroisolation, which also can be removed if necessary, height-adjustable carrier of a grid and hair stopper.

Stainless steel mask and black(white) glass or ceramic holder, dimensions of 144x144 mm.

IMPORTANT TECHNICAL INFORMATION	
Minimum installation height	78mm
Flow rate	48 l/min
Outlet	Ø50
Water seal height	34 mm
Grid load class (by EN 1253)	K3 with stand 300 kg of pressure
Body material	PP

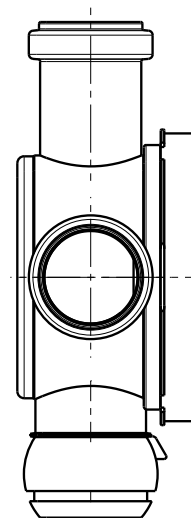
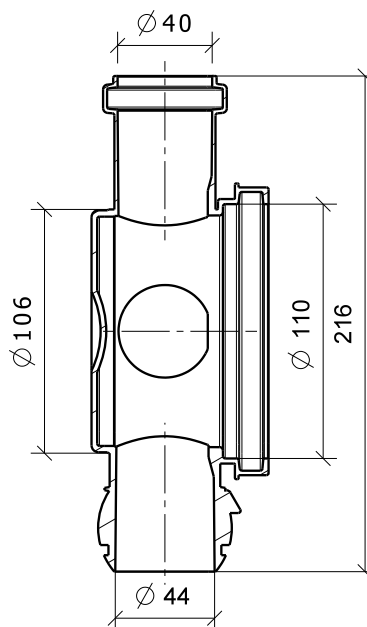
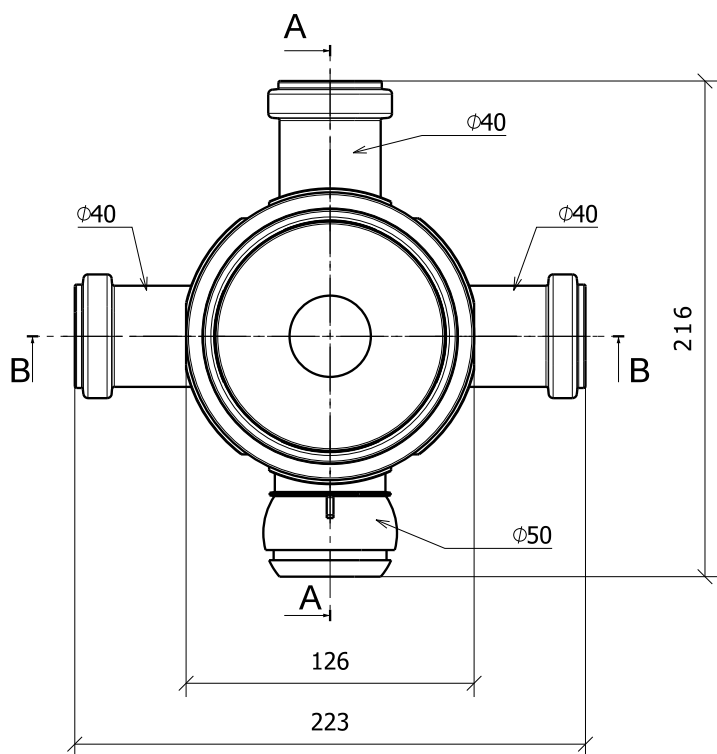
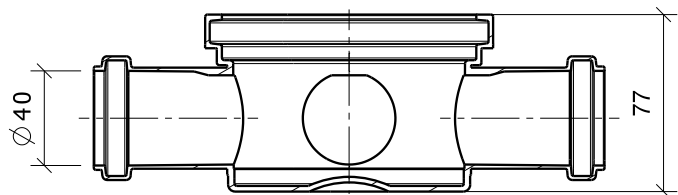
DRAIN ADVANTAGE:

- Adjustable angle by 15°
- Base rotation 360°
- Installation in the corner of the bathroom
- Easy installation and maintenance
- High flow rate

Hydroisolation flange optional

CODE	NAME	WEIGHT	BOX DIMENSIONS
13000091	CONFLUO "BLACK GLASS 3 LARGE" 15X15	1,488kg	300mmx200mmx250mm
13000095	CONFLUO "WHITE GLASS 3 LARGE" 15X15	1,495kg	300mmx200mmx250mm
13000087	CONFLUO "CERAMIC 3 LARGE" 15X15	1,114kg	300mmx200mmx250mm
13000189	CONF "BLACK GLASS 3 LARGE" 15X15 NO FLNG	1,384kg	300mmx200mmx250mm
13000185	CONF "WHITE GLASS 3 LARGE" 15X15 NO FLNG	1,391kg	300mmx200mmx250mm
13000193	CONFLUO "CERAMIC 3 LARGE" 15X15 NO FLNG	1,010kg	300mmx200mmx250mm



 PEŠTAN

1300 Kaplara br. 189  
34301 Bukovik, Aranđelovac  
Srbija

office@pestan.net  
www.pestan.net

Centrala: +381 (0) 34/700-300  
Komerijala: +381 (0) 34/700-336  
+381 (0) 34/700-306  
+381 (0) 34/700-338