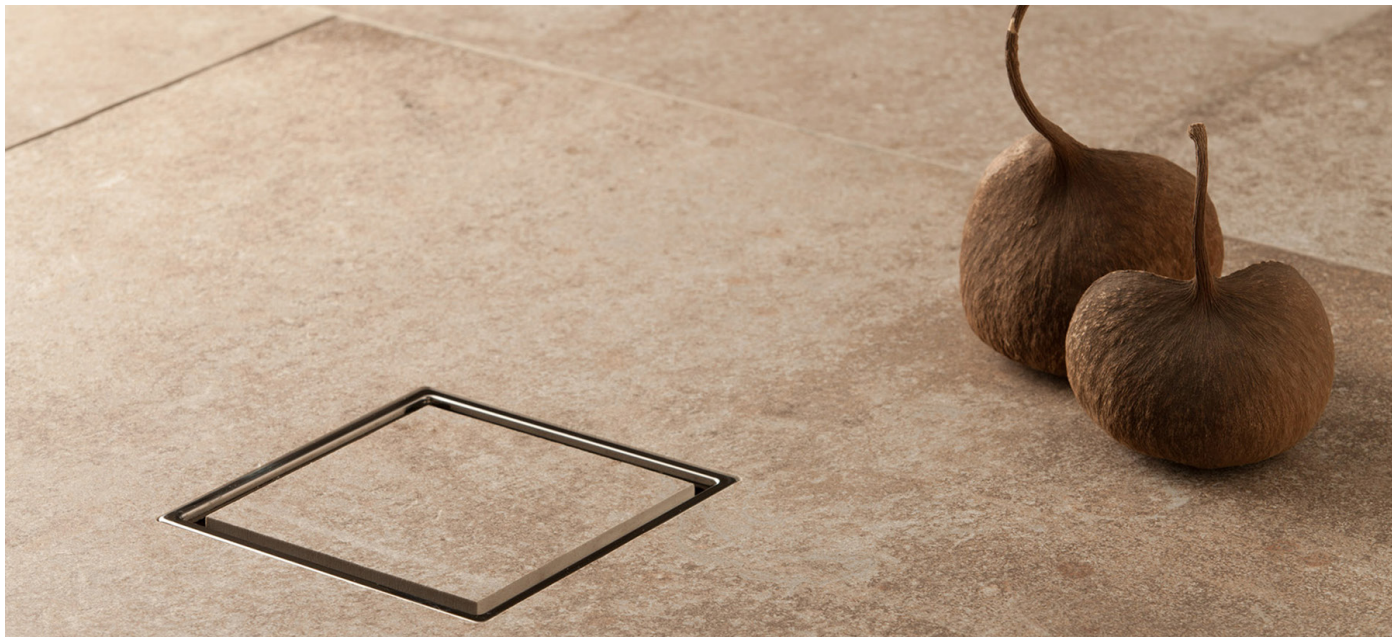


CONFLUO STANDARD BLACK GLASS, WHITE GLASS, CERAMIC DRY 2



CONFLUO STANDARD BLACK GLASS, WHITE GLASS, CERAMIC DRY 2

CONFLUO STANDARD drain “STANDARD CERAMIC BLACK/WHITE GLASS DRY 2” made of PP with one horizontal side inlet DN40 and with one horizontal DN 50mm outlet adjustable under the angle of maximum 15°, minimum installation height of 78mm and flow rate of 48l/min.

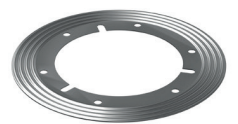
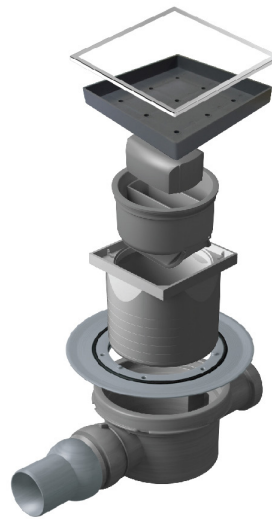
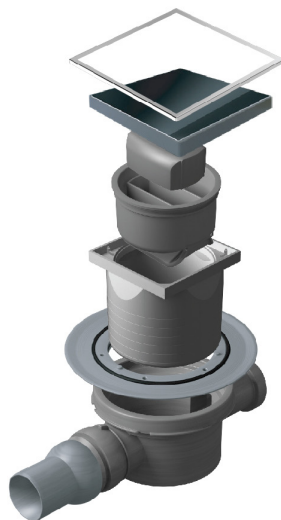
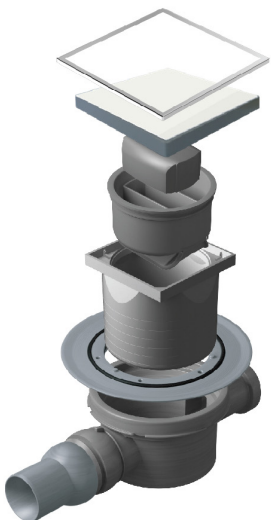
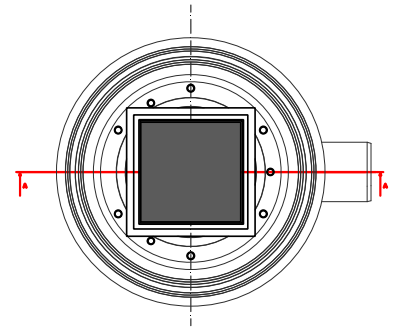
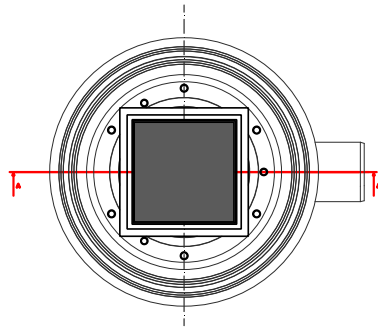
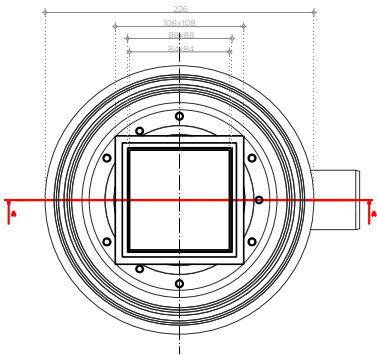
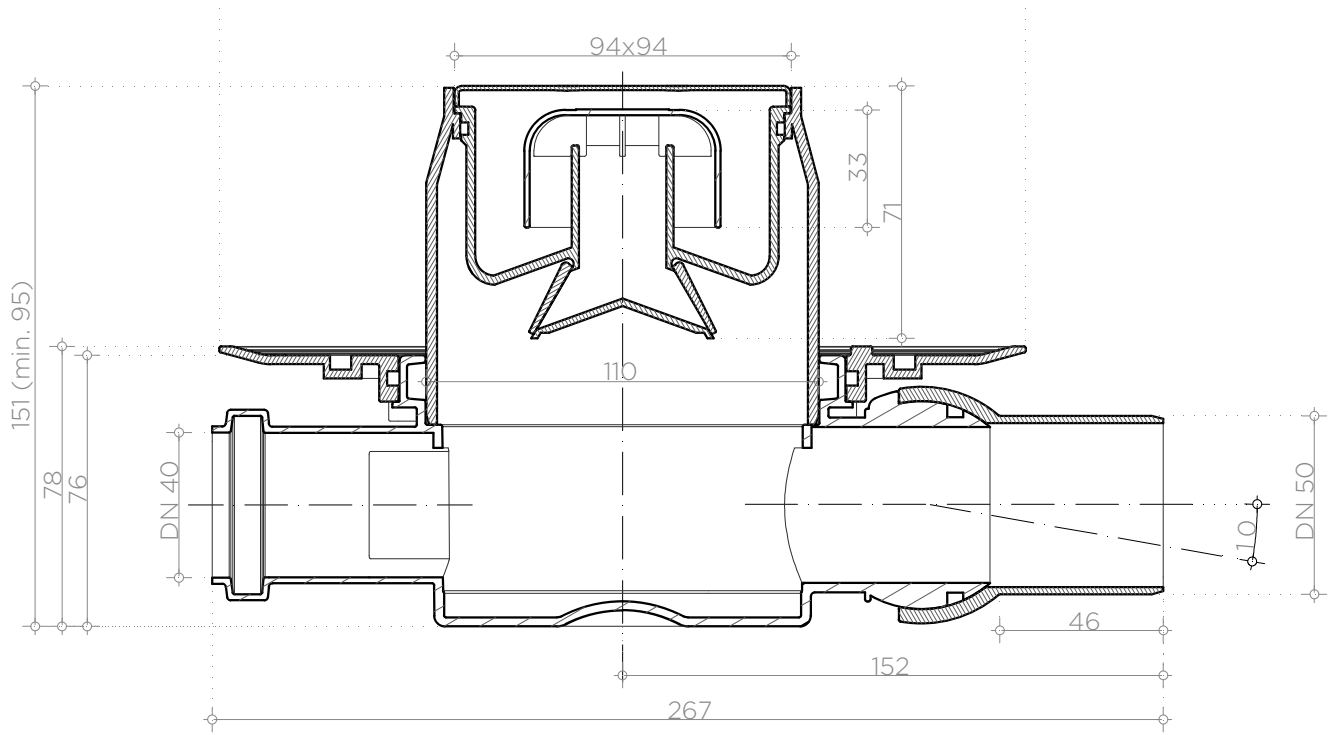
Base of drain with a socket (siphon) of a dry drain, which can be removed, water sealing height of 38mm, with hoop for hydroisolation which can also be removed if necessary and in which it is possible to attach flange for hydroisolation and height-adjustable carrier of a grid.

Stainless steel mask and tempered black/white glass or ceramic holder dimensions of 94x94mm.

IMPORTANT TECHNICAL INFORMATION	
Minimum installation height	78mm
Flow rate	48 l/min
Outlet	Ø50
Water seal height	38 mm
Grid load class (by EN 1253)	K3 with stand 300 kg of pressure
Body material	PP

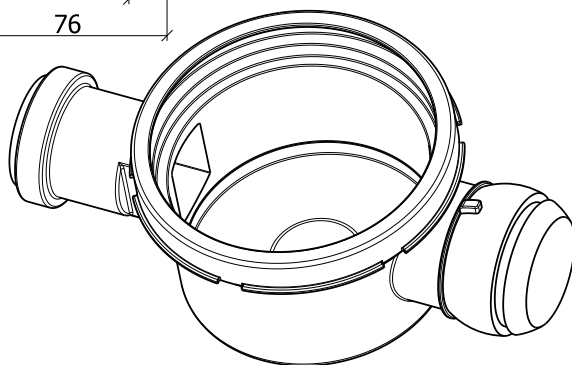
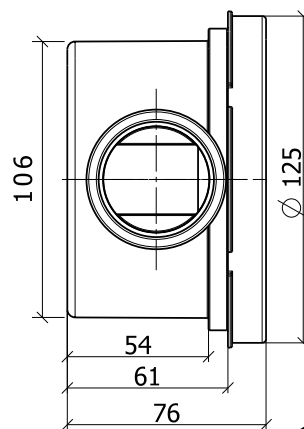
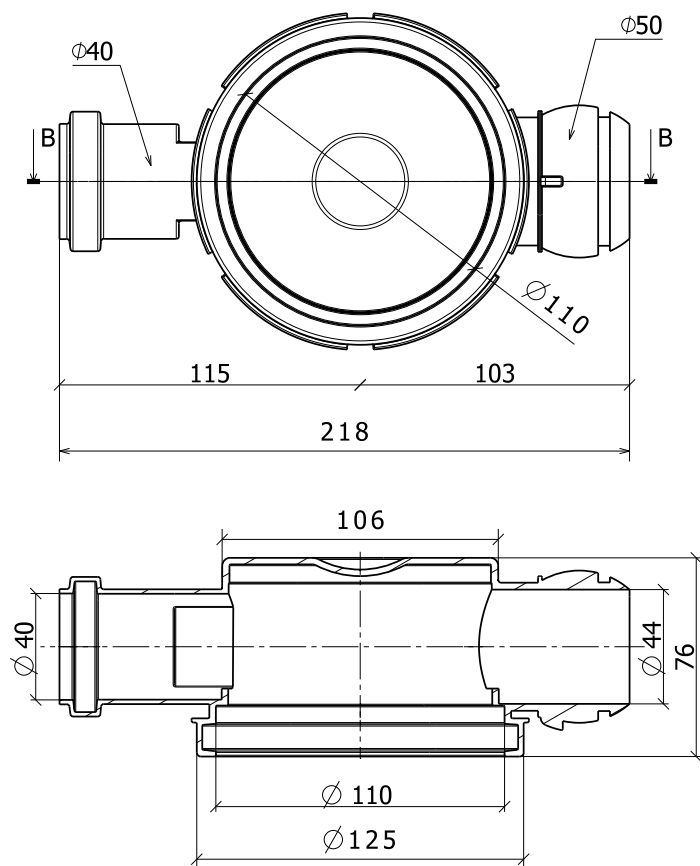
DRAIN ADVANTAGE:

- Adjustable angle by 15°
- Base rotation 360°
- Easy installation and maintenance
- High flow rate

Hydroisolation flange optional

CODE	NAME	WEIGHT	BOX DIMENSIONS
13000102	CONFLUO "DRY 2 BLACK GLASS" 10X10	0,990kg	300mmx200mmx250mm
13000105	CONFLUO "DRY 2 WHITE GLASS" 10X10	0,912kg	300mmx200mmx250mm
13000108	CONFLUO "DRY 2 CERAMIC" 10X10	0,756kg	300mmx200mmx250mm
13000320	CONF "DRY 2 BLACK GLASS" 10X10 WITH FLNG	1,094kg	300mmx200mmx250mm
13000325	CONF "DRY 2 WHITE GLASS" 10X10 WITH FLNG	1,016kg	300mmx200mmx250mm
13000330	CONF "DRY 2 CERAMIC" 10X10 WITH FLANGE	0,860kg	300mmx200mmx250mm



 PEŠTAN

1300 Kaplara br. 189  
34301 Bukovik, Aranđelovac  
Srbija

office@pestan.net  
www.pestan.net

Centrala: +381 (0) 34/700-300  
Komerijala: +381 (0) 34/700-336  
+381 (0) 34/700-306  
+381 (0) 34/700-338