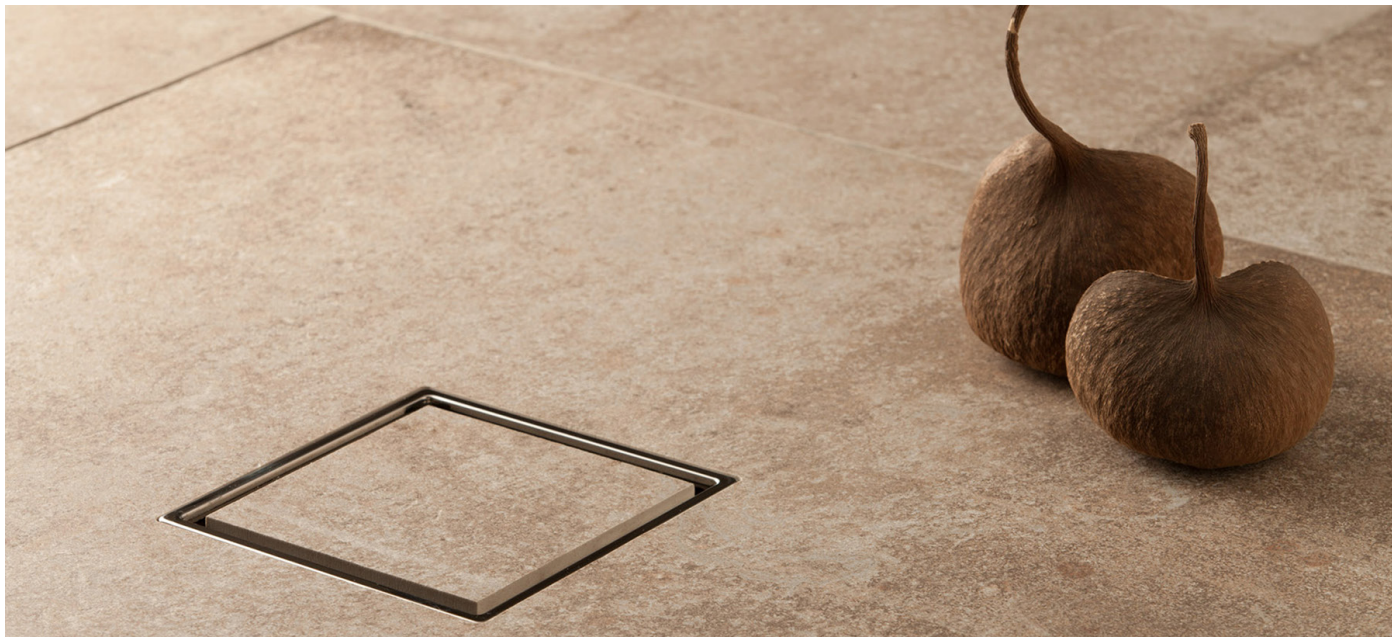


CONFLUO STANDARD BLACK GLASS, WHITE GLASS, CERAMIC DRY 3



CONFLUO STANDARD BLACK GLASS, WHITE GLASS, CERAMIC DRY 3

CONFLUO STANDARD drain “STANDARD CERAMIC BLACK/WHITE GLASS DRY 3” made of PP with three horizontal side inlets DN40 and with one horizontal DN 50mm outlet adjustable under the angle of maximum 15°, minimum installation height of 78mm and flow rate of 48l/min.

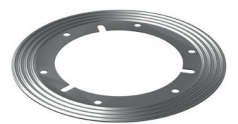
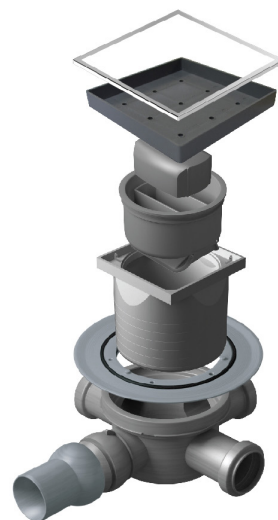
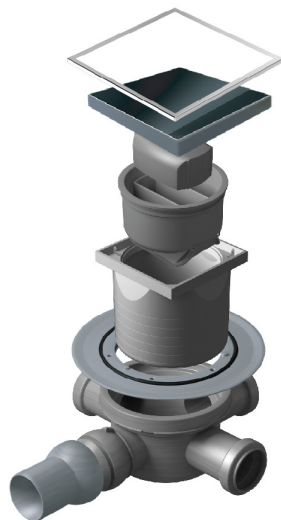
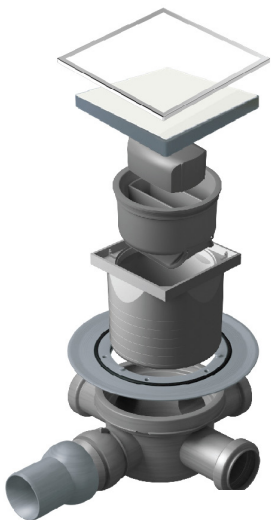
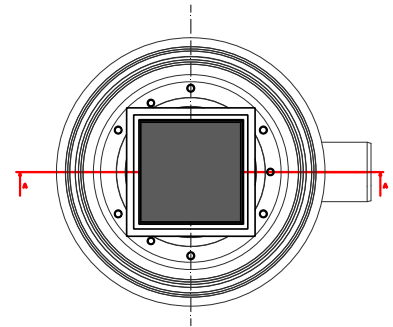
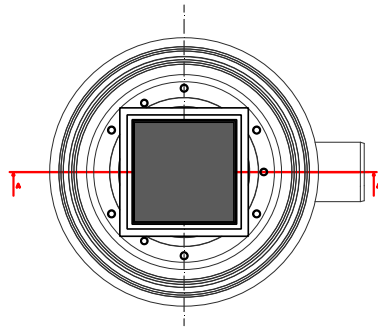
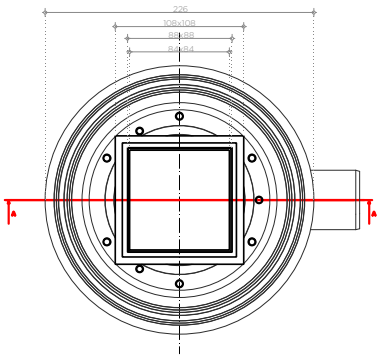
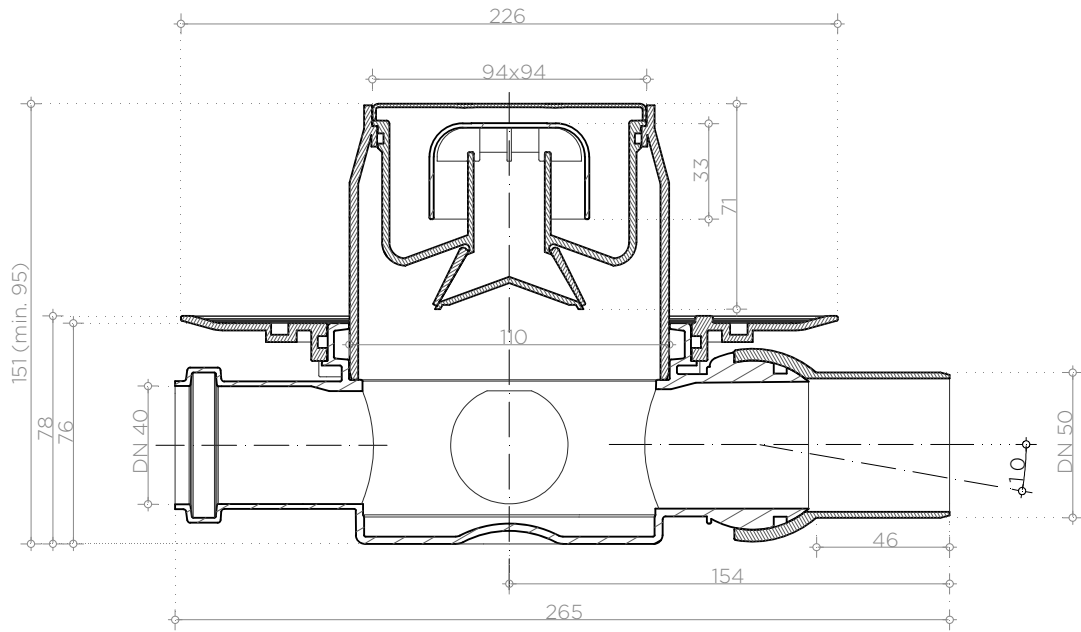
Base of drain with a socket (siphon) of a dry drain, which can be removed, water sealing height of 38mm, with hoop for hydroisolation which can also be removed if necessary and in which it is possible to attach flange for hydroisolation and height-adjustable carrier of a grid.

Stainless steel mask and black/white glass or ceramic holder dimensions of 94x94mm.

IMPORTANT TECHNICAL INFORMATION	
Minimum installation height	78mm
Flow rate	48 l/min
Outlet	Ø50
Water seal height	38mm
Grid load class (by EN 1253)	K3 with stand 300 kg of pressure
Body material	PP

DRAIN ADVANTAGE:

- Adjustable angle by 15°
- Base rotation 360°
- Easy installation and maintenance
- High flow rate

Hydroisolation flange optional

CODE	NAME	WEIGHT	BOX DIMENSIONS
13000103	CONFLUO "DRY 3 BLACK GLASS" 10X10	0,905kg	300mmx200mmx250mm
13000106	CONFLUO "DRY 3 WHITE GLASS" 10X10	0,904kg	300mmx200mmx250mm
13000109	CONFLUO "DRY 3 CERAMIC" 10X10	0,766kg	300mmx200mmx250mm
13000321	CONF "DRY 3 BLACK GLASS" 10X10 WITH FLNG	1,009kg	300mmx200mmx250mm
13000326	CONF "DRY 3 WHITE GLASS" 10X10 WITH FLNG	1,009kg	300mmx200mmx250mm
13000331	CONF "DRY 3 CERAMIC" 10X10 WITH FLANGE	0,870kg	300mmx200mmx250mm

