

CONFLUO STANDARD DRAIN TIDE, DROPS, SQUARE 1 MASK AND GRID



CONFLUO STANDARD DRAIN TIDE, DROPS, SQUARE 1 MASK AND GRID

CONFLUO STANDARD drain “TIDE (DROPS, SQUARE) 1 MASK AND GRID” made of PP with no side inlets, with one horizontal DN 50mm outlet adjustable under the angle of maximum 15°, minimum installation height of 78mm and flow rate of 48l/min.

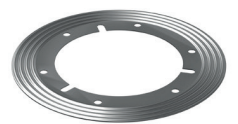
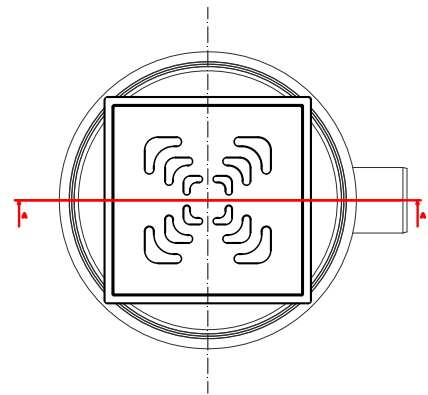
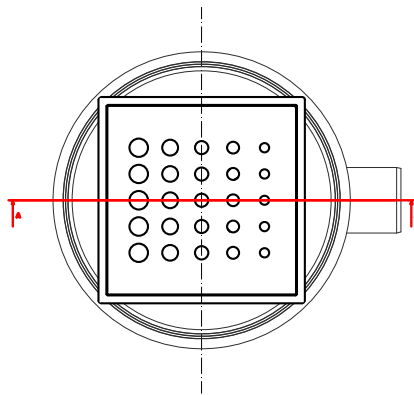
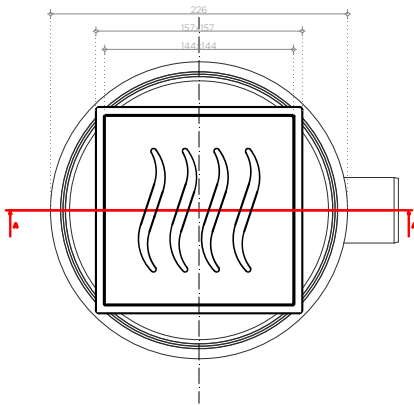
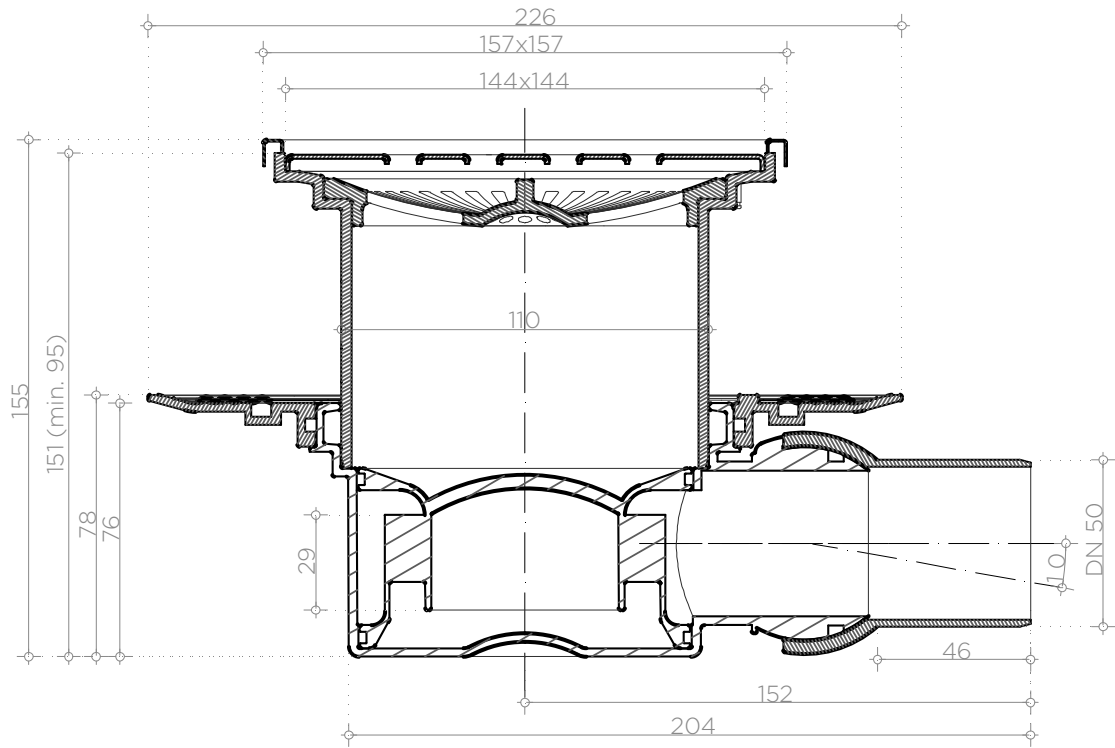
Base of drain with a socket (siphon), which can be removed, water sealing height of 34mm, with hoop and flange for hydroisolation, which can also be removed if necessary, height-adjustable carrier of a grid and hair stopper.

Stainless steel mask for grid carrier and stainless steel grid “TIDE (DROPS, SQUARE)” class K3 dimensions of 144x144 mm.

IMPORTANT TECHNICAL INFORMATION	
Minimum installation height	78mm
Flow rate	48 l/min
Outlet	Ø50
Water seal height	34 mm
Grid load class (by EN 1253)	K3 with stand 300 kg of pressure
Grid material	Stainless steel AISI 304 (AISI 316 optional)
Body material	PP

DRAIN ADVANTAGE:

- Adjustable angle by 15°
- Base rotation 360°
- Easy installation and maintenance
- High flow rate



Hydroisolation flange optional

CODE	NAME	WEIGHT	BOX DIMENSIONS
13000070	CONFLUO "TIDE 1 MASK" 15X15	1,209kg	300mmx200mmx250mm
13000072	CONFLUO "DROPS 1 MASK" 15X15	1,221kg	300mmx200mmx250mm
13000073	CONFLUO "SQUARE 1 MASK" 15X15	1,224kg	300mmx200mmx250mm
13000195	CONFLUO "TIDE 1 MASK" 15X15 NO FLANGE	1,105kg	300mmx200mmx250mm
13000203	CONFLUO "DROPS 1 MASK" 15X15 NO FLANGE	1,117kg	300mmx200mmx250mm
13000199	CONFLUO "SQUARE 1 MASK" 15X15 NO FLANGE	1,120kg	300mmx200mmx250mm

