

CONFLUO STANDARD DRAIN TIDE, DROPS, SQUARE 4 MASK AND GRID



CONFLUO STANDARD DRAIN TIDE, DROPS, SQUARE 4 MASK AND GRID

CONFLUO STANDARD drain “TIDE (DROPS, SQUARE) 4 MASK AND GRID” made of PP with no side inlets, with one horizontal DN 50mm outlet adjustable under the angle of maximum 15°, minimum installation height of 71mm and flow rate of 48l/min.

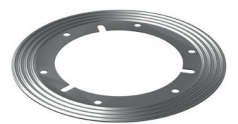
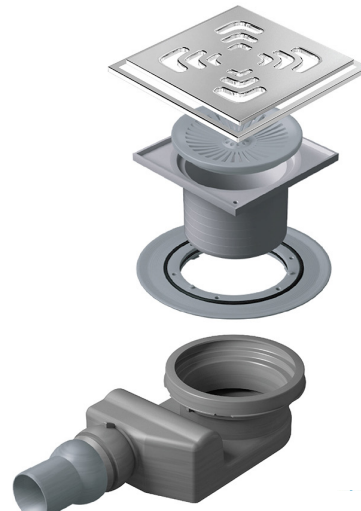
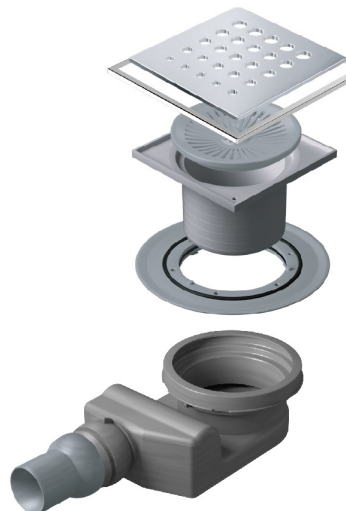
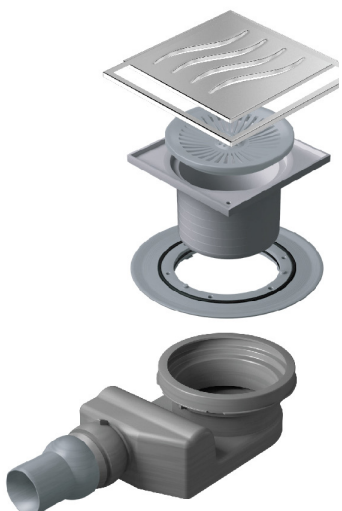
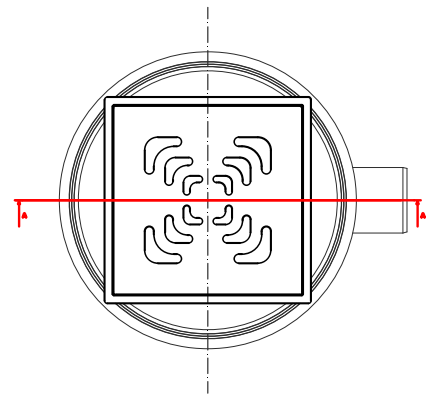
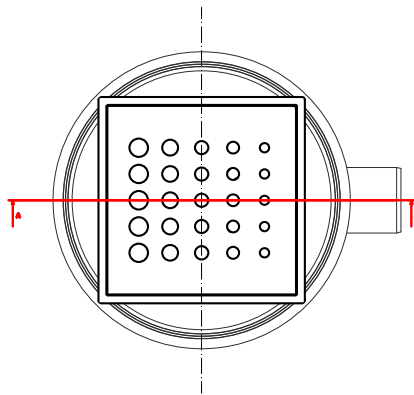
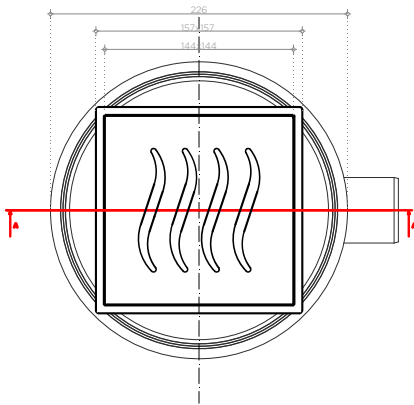
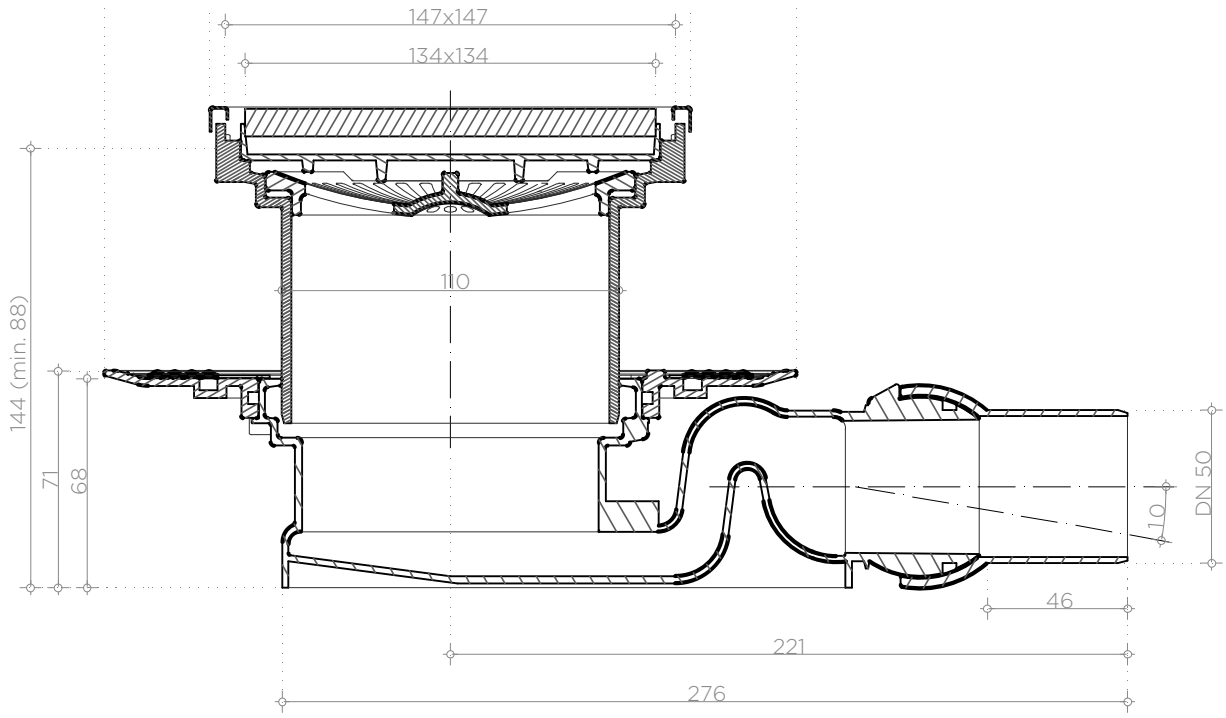
Base of drain without socket (siphon), water sealing height of 28mm, with hoop and flange for hydroisolation, which can be removed if necessary, height-adjustable carrier of a grid and hair stopper.

Stainless steel mask for grid carrier and stainless steel grid “TIDE (DROPS, SQUARE)” class K3 dimensions of 144x144 mm.

IMPORTANT TECHNICAL INFORMATION	
Minimum installation height	71 mm
Flow rate	48 l/min
Outlet	Ø50
Water seal height	28 mm
Grid load class (by EN 1253)	K3 with stand 300 kg of pressure
Grid material	Stainless steel AISI 304 (AISI 316 optional)
Body material	PP

DRAIN ADVANTAGE:

- Adjustable angle by 15°
- Base rotation 360°
- Easy installation and maintenance
- High flow rate



Hydroisolation flange optional

CODE	NAME	WEIGHT	BOX DIMENSIONS
13000081	CONFLUO "TIDE 4 MASK" 15X15	1,236kg	300mmx200mmx250mm
13000079	CONFLUO "DROPS 4 MASK" 15X15	1,208kg	300mmx200mmx250mm
13000084	CONFLUO "SQUARE 4 MASK" 15X15	1,194kg	300mmx200mmx250mm
13000198	CONFLUO "TIDE 4 MASK" 15X15 NO FLANGE	1,132kg	300mmx200mmx250mm
13000206	CONFLUO "DROPS 4 MASK" 15X15 NO FLANGE	1,104kg	300mmx200mmx250mm
13000202	CONFLUO "SQUARE 4 MASK" 15X15 NO FLANGE	1,090kg	300mmx200mmx250mm

