

CONFLUO STANDARD DRAIN VERTICAL TIDE, DROPS, SQUARE MASK AND GRID



CONFLUO STANDARD DRAIN VERTICAL TIDE, DROPS, SQUARE MASK AND GRID

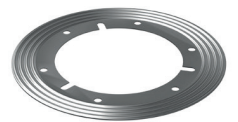
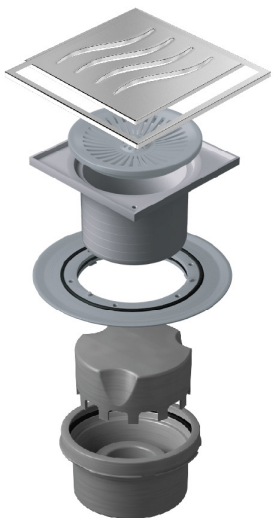
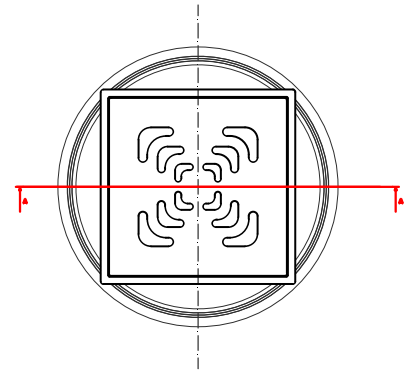
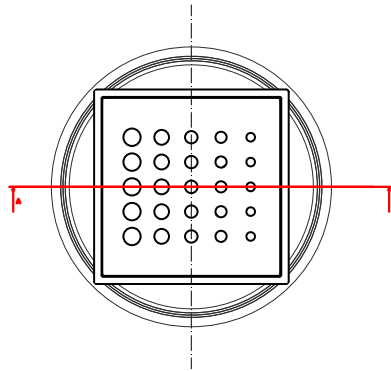
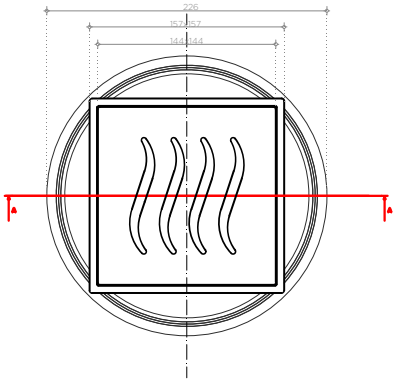
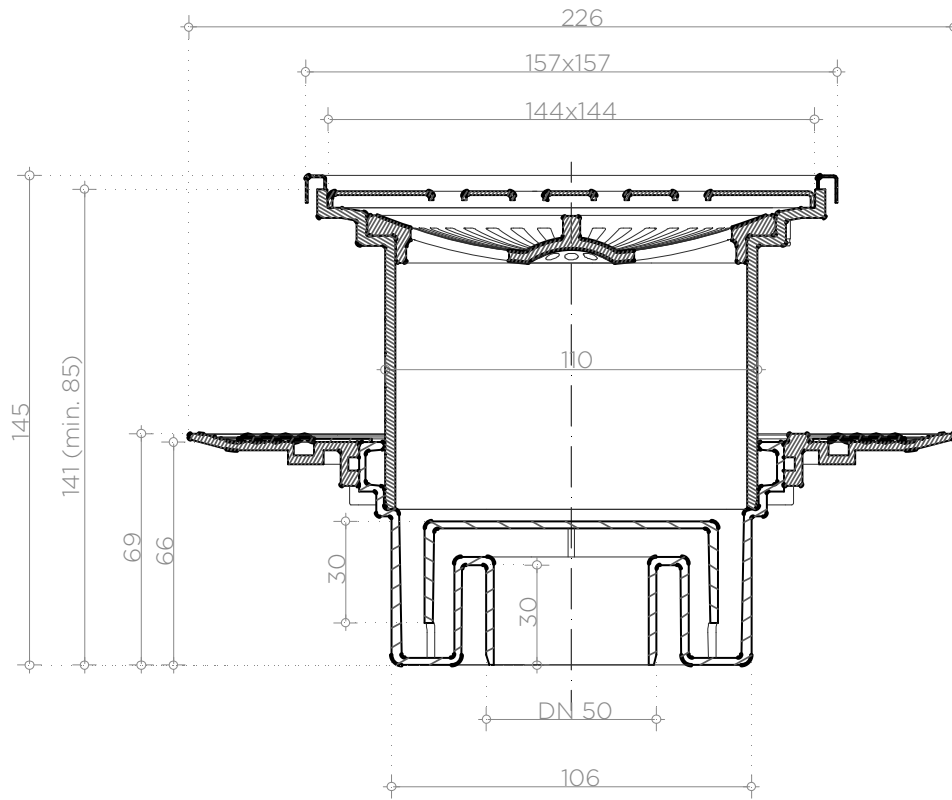
CONFLUO STANDARD drain “VERTICAL TIDE (DROPS, SQUARE) MASK AND GRID” made of PP with no side inlets, with one vertical DN 50mm outlet, minimum installation height of 69mm and flow rate of 48l/min. Base of drain with a socket (siphon) of a vertical drain, which can be removed, water sealing height of 30mm, with hoop and flange for hydroisolation, which can also be removed if necessary, height-adjustable carrier of a grid and hair stopper.

Stainless steel mask for grid carrier and stainless steel grid “TIDE (DROPS, SQUARE)” class K3 dimensions of 144x144 mm.

IMPORTANT TECHNICAL INFORMATION	
Minimum installation height	69 mm
Flow rate	48 l/min
Outlet	Ø50
Water seal height	30 mm
Grid load class (by EN 1253)	K3 with stand 300 kg of pressure
Grid material	Stainless steel AISI 304 (AISI 316 optional)
Body material	PP

DRAIN ADVANTAGE:

- Adjustable angle by 15°
- Base rotation 360°
- Easy installation and maintenance
- High flow rate



Hydroisolation flange optional

CODE	NAME	WEIGHT	BOX DIMENSIONS
13000074	CONFLUO "VERTICAL TIDE MASK" 15X15	1,140kg	300mmx200mmx250mm
13000075	CONFLUO "VERTIACL DROPS MASK" 15X15	1,138kg	300mmx200mmx250mm
13000076	CONFLUO "VERTICAL SQUARE MASK" 15X15	1,130kg	300mmx200mmx250mm
13000219	CONF "VERTICAL TIDE MASK" 15X15 NO FLNG	1,036kg	300mmx200mmx250mm
13000220	CONF "VERTICAL DROPS MASK" 15X15 NO FLNG	1,034kg	300mmx200mmx250mm
13000221	CONF "VERTICAL SQUARE MASK" 15X15 NO FLNG	1,026kg	300mmx200mmx250mm

