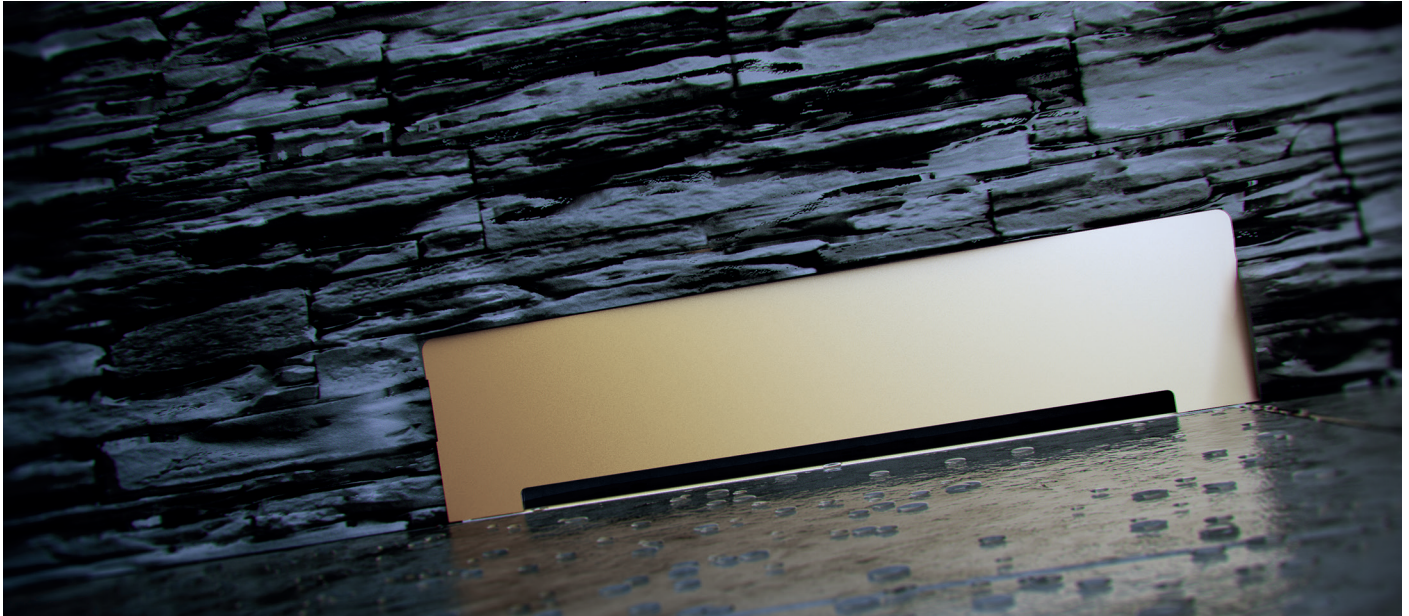


CONFLUO PREMIUM “WALL GOLD“



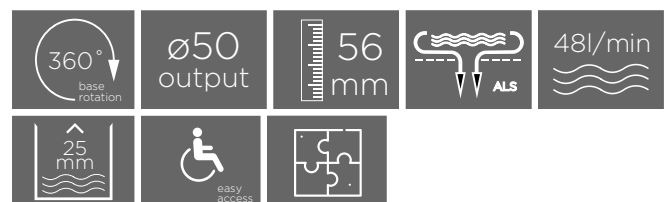
PEŠTAN CONFLUO PREMIUM DRAIN “ WALL GOLD “

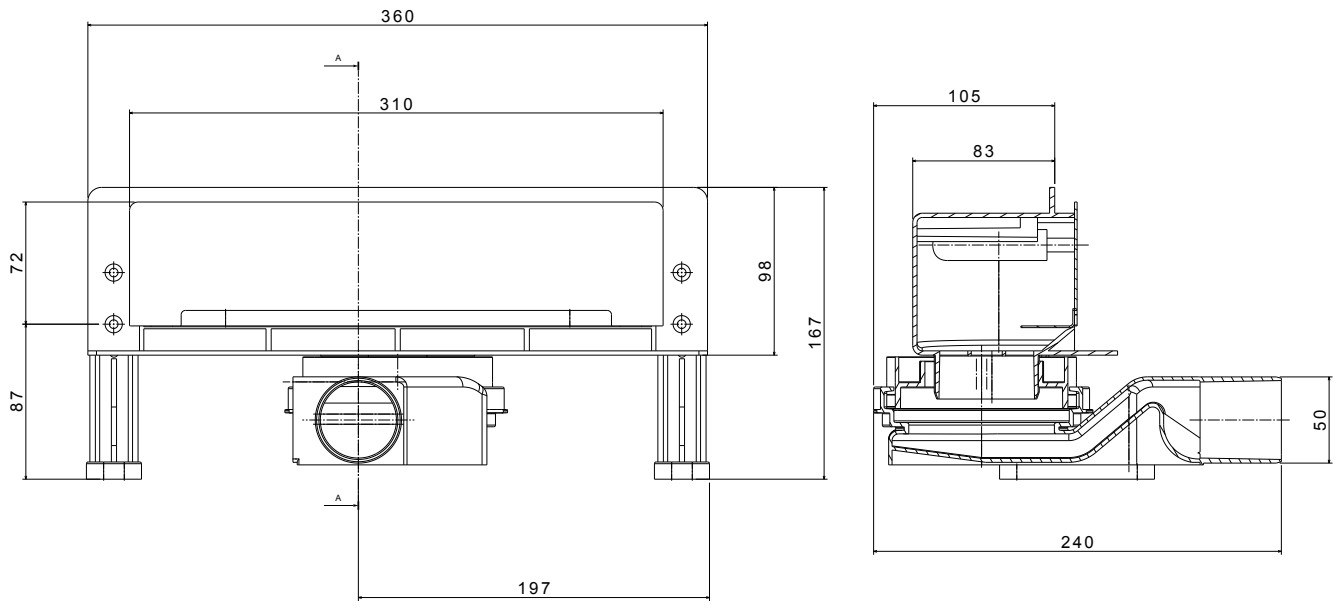
Peštan Confluo Premium WALL drain made from polipropilen with ABS made grid holder, with no side inlets and one horizontal DN 50mm output, minimum installation height of 56mm and flow rate of 48 l/min. Base of drain without socket with water sealing height of 25 mm, with height adjustable reducer for wall drain and feet for height and inclination adjustment and grid carrier. 24k gold plated stainless steel grate class K3 (up to 300 kg of load), dimensions 310x72 mm.

IMPORTANT TECHNICAL INFORMATION	
Minimal instalation hight	56mm
Installation depth of grid carrier/overall	83mm/105mm
Lenghts(numbers represent lenght of the grid)	310 mm
The height of the grid carrier/grid	98mm/74mm
Flow (in accordance with EN1253)	48 l/min
Output	Ø 50mm
The height of the water plug	25mm
The maximum thickness of ceramic between the carrier and the lattice.Horizontal/Vertical (numbers represent constructional height, without glue for ceramics)	14mm/13mm
Load class of the grid (in accordance with EN 1253)	K3 - withstands 300 kg pressure
Grid material	Stainless steal AISI 304 (optimal AISI 316) 24 carat gold plated.
Drain body material	ABS (grid carrier)/PP (reducer,base)

DRAIN ADVANTAGES:

- a) Base rotation 360°
- b) Low instalation hight/depth
- c) Output Ø50
- d) Easy installation and maintenance
- e) Anti-Leak system





Code	Name	Weight	Box dimensions
13100061	Confluo premium wall gold	1,259 kg	360mm x 190mm x 200mm

