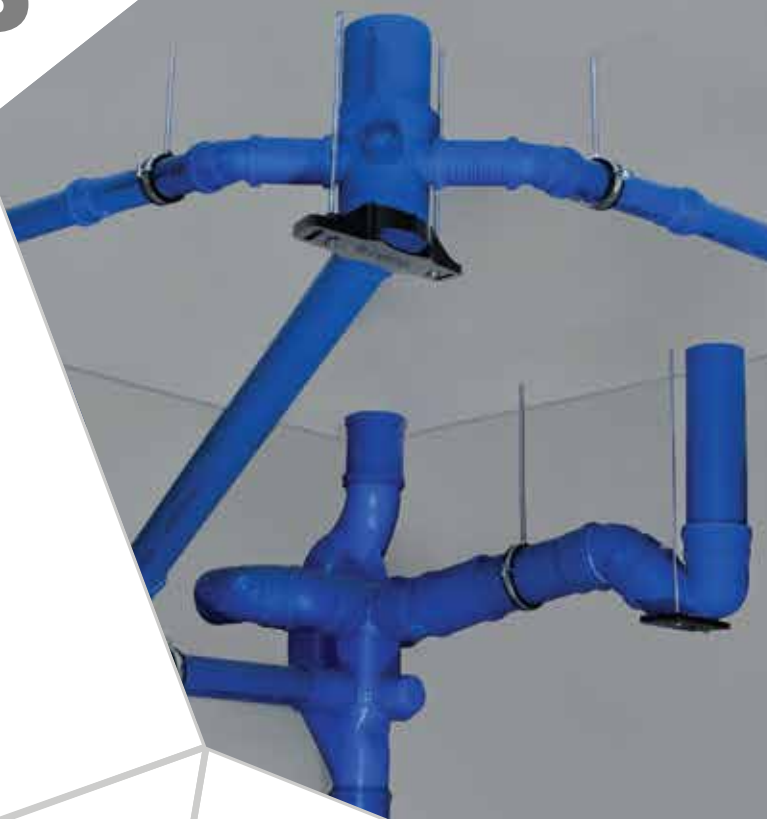


P TRAP & FLOOR TRAP SYSTEMS



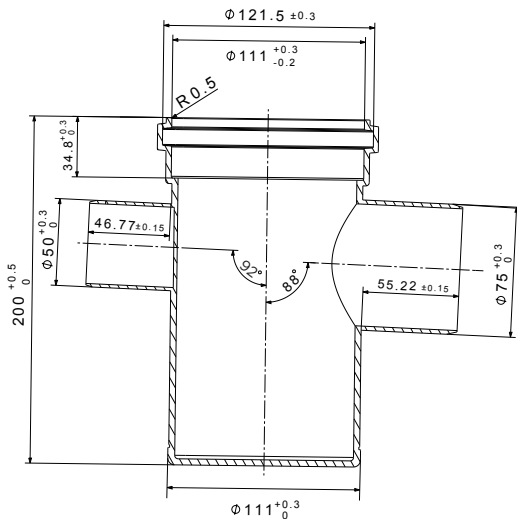
S-LINE FLOOR TRAP

Pestán have created new model of floor trap with few significant improvement of classical product and unlimited flexibility regarding design and type of installation. Purpose of this adapter is to localize all siphons at one place with high height of water seal and constant inflow of water from different water sources in bathroom . Also one of the benefits of Pestán floor trap is "easy to clean" system where you can with simple removing of one part access all bathroom pipes and clean them in event of clogging.



S-LINE Model WS 72

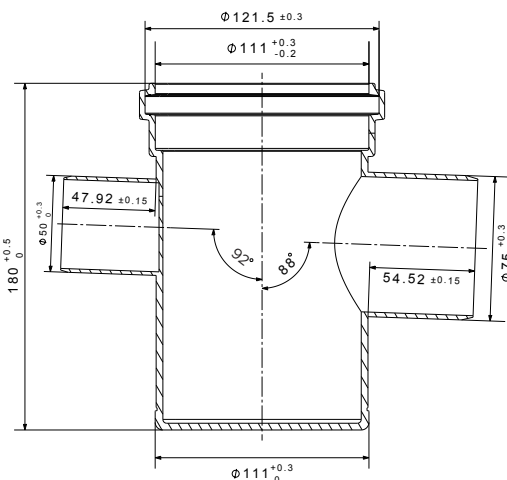
PEŠTAN S-line floor-trap WS 72 is made of high quality polypropylene+mineral filler and it is composed with three inlets and one outlet, intended for PEŠTAN noiseless pipe system. Top inlet 110mm diameter with seal, three side 50mm inlets which are blank and can be drilled out, and one 75mm diameter side outlet. This model have 72mm water seal and can be installed both in screed and ceiling piping systems for which we have prepared special adapter.



Charateristics	
Height of the gully	200 mm
Number of connections	3 x 50 mm
Outlet diameter	75 mm
Diameter connection from the top	110 mm
Raw material	PP-MD (polypropylene homo-polymers with mineral filler)
Height of water seal	72 mm

S-LINE Model WS 50

PEŠTAN S-line floor-trap WS 50 is made of high quality polypropylene+mineral filler and it is composed with three inlets and one outlet, intended for PEŠTAN noiseless pipe system. Top inlet 110mm diameter with seal, three side 50mm inlets which are blank and can be drilled out, and one 75mm diameter side outlet. This model have 50 mm water seal and can be installed both in screed and ceiling piping systems for which we have prepared special adapter.

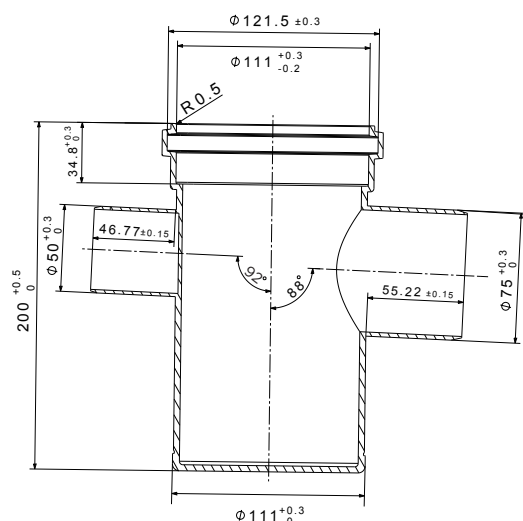


Charateristics	
Height of the gully	180 mm
Number of connections	3 x 50 mm
Outlet diameter	75 mm
Diameter connection from the top	110 mm
Raw material	PP-MD (polypropylene homo-polymers with mineral filler)
Height of water seal	50 mm

HTPP FLOOR TRAP

HTPP Model WS 72

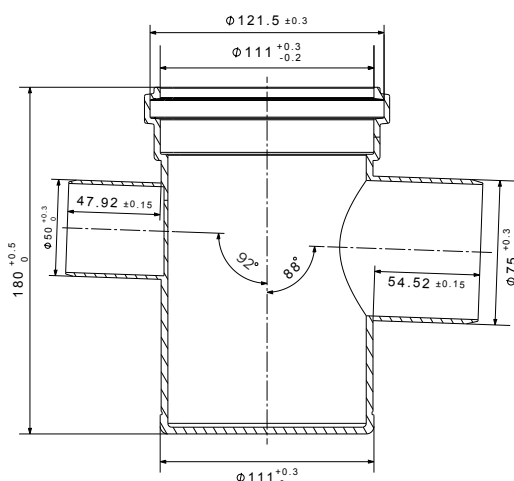
PEŠTAN HTPP floor-trap WS 72 is made of high quality polypropylene and it is composed with three inlets and one outlet, intended for PEŠTAN noiseless pipe system. Top inlet 110mm diameter with seal, three side 50mm inlets which are blank and can be drilled out, and one 75mm diameter side outlet. This model have 72 mm water seal and can be installed both in screed and ceiling piping systems for which we have prepared special adapter.



Charateristics	
Height of the gully	200 mm
Number of connections	3 x 50 mm
Outlet diameter	75 mm
Diameter connection from the top	110 mm
Material	PP-H (polypropylene homopolymers)
Height of water seal	72 mm

HTPP Model WS 50

PEŠTAN HTPP floor-trap WS 50 is made of high quality polypropylene and it is composed with three inlets and one outlet, intended for PEŠTAN noiseless pipe system. Top inlet 110mm diameter with seal, three side 50mm inlets which are blank and can be drilled out, and one 75mm diameter side outlet. This model have 50 mm water seal and can be installed both in screed and ceiling piping systems for which we have prepared special adapter.



Charateristics	
Height of the gully	180 mm
Number of connections	3 x 50 mm
Outlet diameter	75 mm
Diameter connection from the top	110 mm
Material	PP-H (polypropylene homopolymers)
Height of water seal	50 mm

S-LINE & HTPP P-TRAP

Application

Traps are an important component of a plumbing system. They prevent entry of bad smells, insects and rodents from the sewage into the building. Traps are constructed, so that they retain big amount of water-which acts as a water seal.

Pestán P-Trap is self-cleaning. It's designed in the way that it generates enough velocity and water flow and together with smooth and slick surface all polluted water can go further in piping system. P-trap combines two 90 degree joints with a horizontal overflow pipe and gives the entire unit the shape of the letter "P." One of the 90 degree joints exits the drain of the sink and then is joined to another which contains a water seal system that allows for water to flow into the overflow pipe, but not to flow backward toward the sink.

The trap system has adequate resistance to elevated temperatures likely to be found in domestic sewage. PEŠTAN can offer two types of traps: HTPP trap and S-Line trap.*

HTPP TRAP ø110



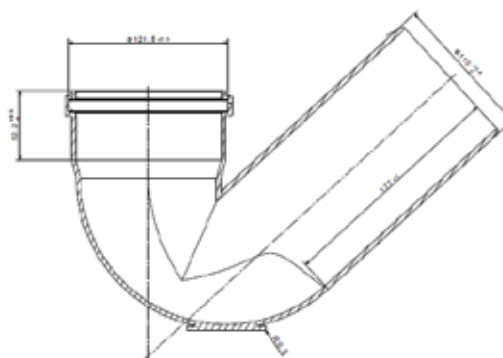
HTPP floor-trap made of high quality PP-H (polypropylene homopolymers).

S-LINE TRAP ø110



S-line p-trap is made of high quality PP-MD (polypropylene homopolymers with mineral filler) intended for PEŠTAN noiseless pipe system.

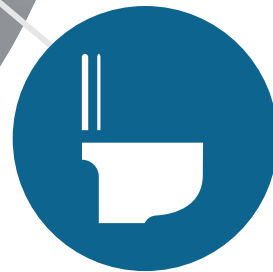
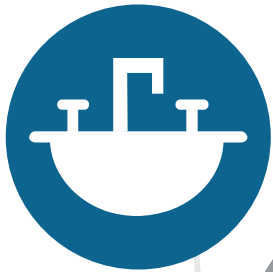
Technical specs:



* Both products have the same dimensions.

SIZE D (MM)	L (MM)	L1 (MM)	W (MM)	STD PCK
110	167	269	176	10

PEŠTAN SYSTEM SOLUTION



Icon Legend



PEŠTAN
CONFLUO
SMART DRAINS

Confluo Standard floor drains with DN 110mm vertical connection.



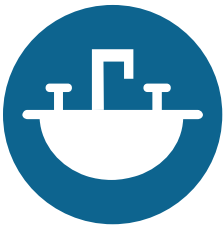
PEŠTAN
CONFLUO
SMART DRAINS

Confluo linear and wall shower drains with DN 50mm vertical connection.



Fluenta

Fluenta concealed flushing cistern and rimless toilet bowl.



Wash Basin



S·LINE

PESTAN S-LINE P-TRAP



S·LINE

PESTAN S-LINE FLOOR TRAP



S·LINE

PESTAN S-LINE VENTOS VENTILATION BRANCH

