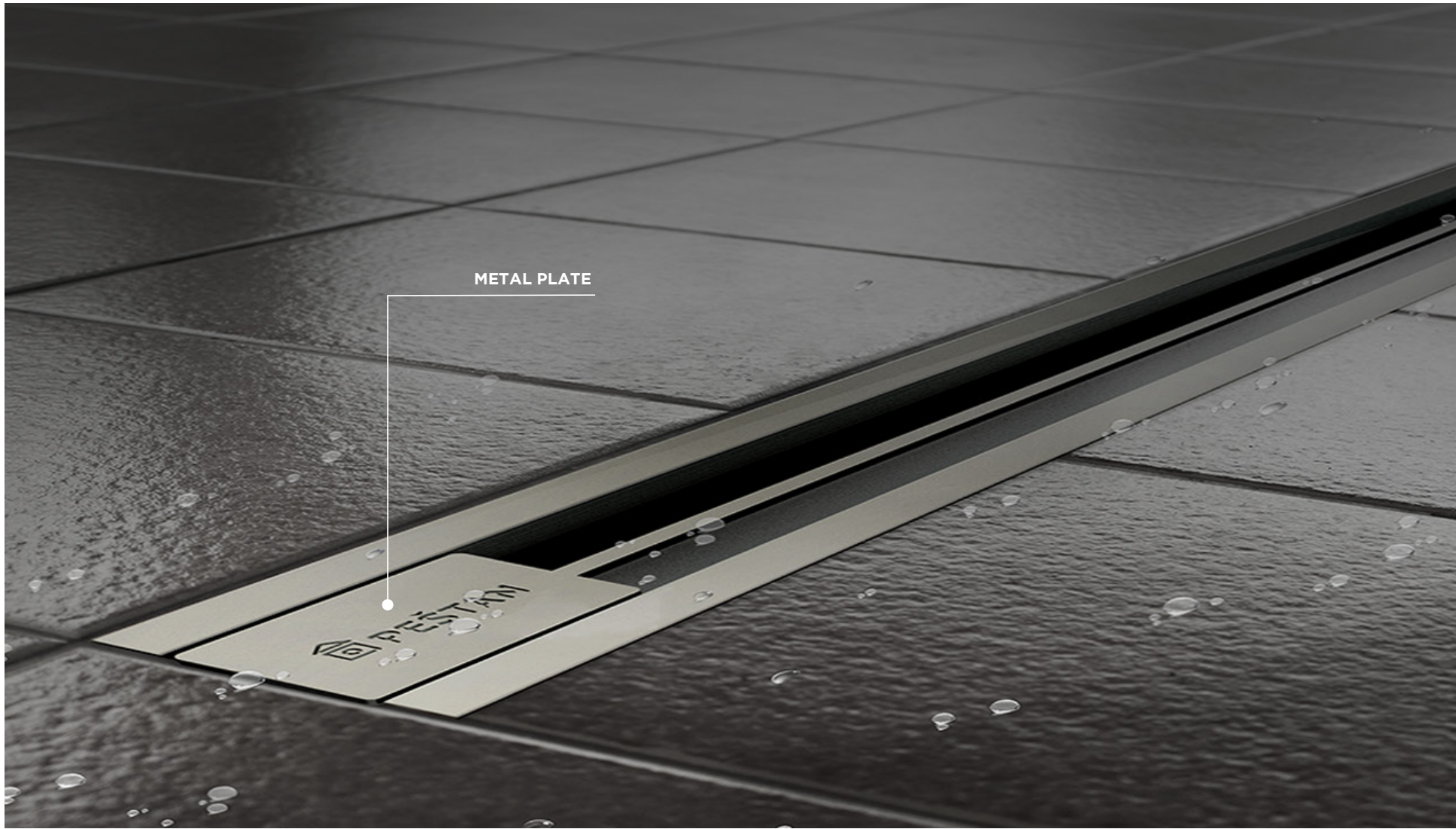


PREMIUM  
SLIM LINE





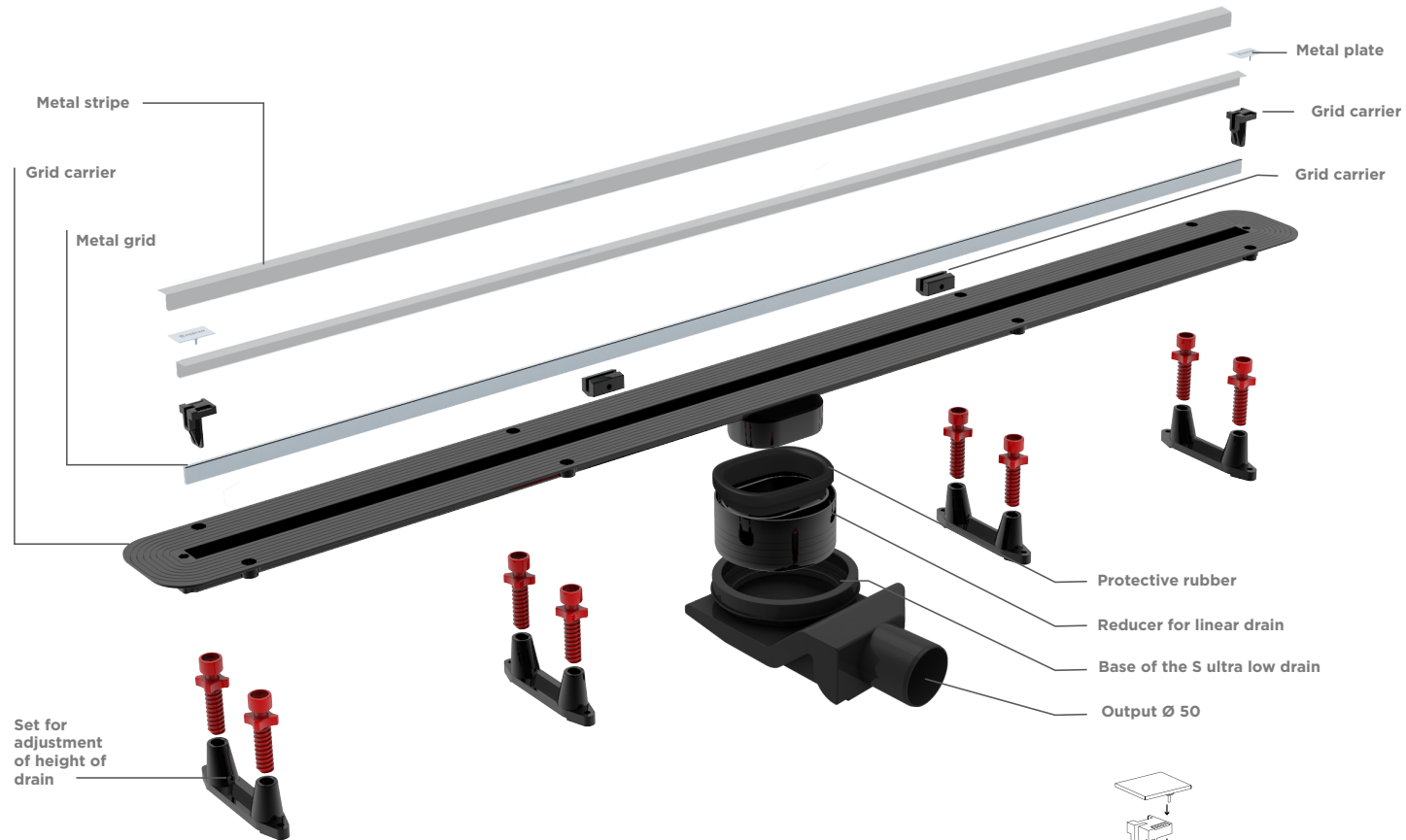
METAL PLATE

# SETS OF DRAINS CONFLUO SLIM LINE

AVAILABLE SIZES:

300mm / 450mm / 550mm / 650mm / 750mm / 850mm / 950mm / 1050mm / 1150mm

LINE 300	LINE 450	LINE 550	LINE 650	LINE 750	LINE 850	LINE 950	LINE 1050	LINE 1150
Article number 13100030	Article number 13100031	Article number 13100032	Article number 13100033	Article number 13100034	Article number 13100035	Article number 13100036	Article number 13100037	Article number 13100038



<p><b>MAXIMAL FLOW</b></p> <p>↓↓↓</p> <p>48 L/mm</p>	<p><b>MINIMAL HEIGHT</b></p> <p>↑</p> <p>72 mm</p>	<p>10 year warranty on grids</p> <p><b>CLASS K3</b></p> <p>Maximum allowed up to 300 kg</p>	<p>Type of steel</p> <p><b>AISI 304</b></p> <p>Optional</p> <p><b>AISI 316</b></p>
--	--	---	--

REFERENCE\*  
Drains 300, 450 i 550 have one set for height adjustment.

