

Clap Valve

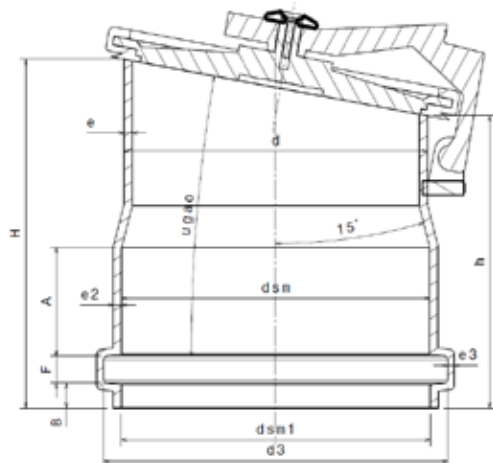
Technical Data Sheet

Application

PVC clap valve is a fitting that is used as irreversible valve of a pipeline for underground drainage and sewage without pressure in order to prevent return flow in the sewage system and also to prevent animals from entering. It is used according to the norm EN 13476 and EN 1401..

Product Description

Clap valve is made of PVC material. Nominal stiffness is 8kN/m². It is designed with smooth inner and outer surface. Pipe connections are secured by EPDM rubber ring which provides waterproofness up to 0.5 bars.



Chemical resistance

PEŠTAN clap valve is resistant to salt water, alcohol, acid, alkalis, sulfates, aggressive gases and all types of detergents. On the other side, it can not be used for water that contains high percentage of benzene, gasoline, oil and acetone.



dimension (mm)	DN 110	DN 125	DN 160	DN 200	DN 250	DN 315	DN 400
dem	110,0-110,3	125-125,3	160-160,4	200,0-200,5	250,0-250,5	315,0-315,6	400,0-400,7
e	3,2-3,8	3,2-3,8	4,0-4,6	4,9-5,6	6,2-7,1	7,7-8,7	9,8-11,0
dsm	110,4-110,9	125,4-125,9	160,5-161,0	200,6-201,1	250,8-252,0	316,0-317,3	401,2-402,8
e2 (min)	2,9	2,9	3,6	4,4	5,5	6,9	8,8
d3	120,3-121,3	137,1-138,2	173,8-175,0	215,6-217,0	272,9-274,5	338,9-340,9	427,1-429,5
e3 (min)	2,4	2,4	3,0	3,7	4,7	5,8	7,4
B (min)	6	7	9	12	18	20	24
f	9,1-11,1	10,4-12,6	11,7-14,1	13,0-15,8	19,5-26,7	20,8-28,4	24,1-32,6
A (min)	32	35	42	50	55	62	70

TECHNICAL ASSISTANCE

For more information about products please contact PEŠTAN technical support or regional salesman..



BELNIIS - Belarus



VUPS
Czech Republic



MPA - Germany
Darmstadt



MIRTEC EBETAM
Greece



IGH - Croatia



IMS - Serbia



GOST R - Russia

Diameter d	h (mm)	H (mm)	Angle of clap °
110	105±5	115±5	7°
125	115±5	135±5	15°
160	125±5	135±5	7°
200	190±5	220±5	7°
250	260±5	300±5	7°
315	300±5	350±5	7°
400	310±5	390±5	14°
500	430±5	530±5	14°