

**CONNECTION
PIECE FOR SEWAGE RISERS**

S·LINE

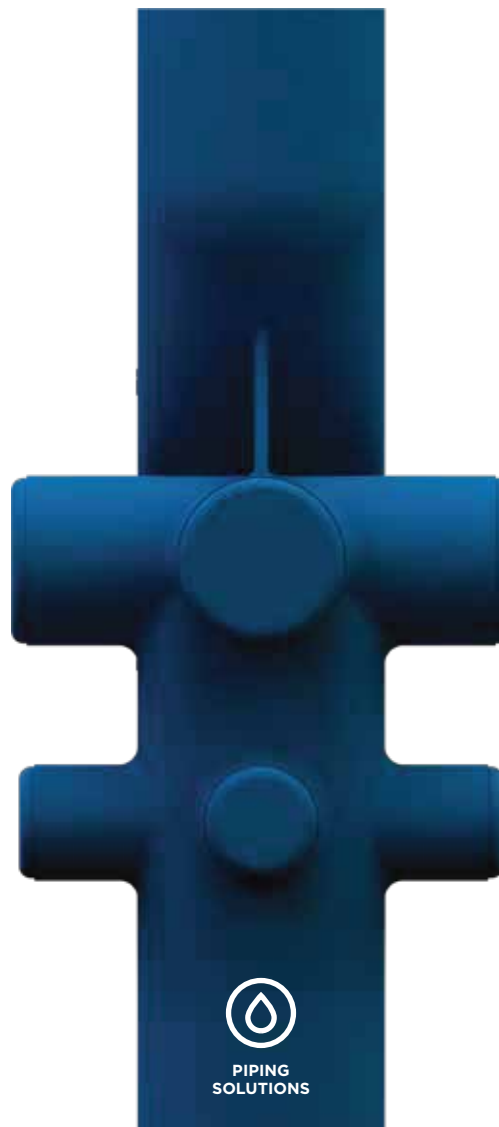
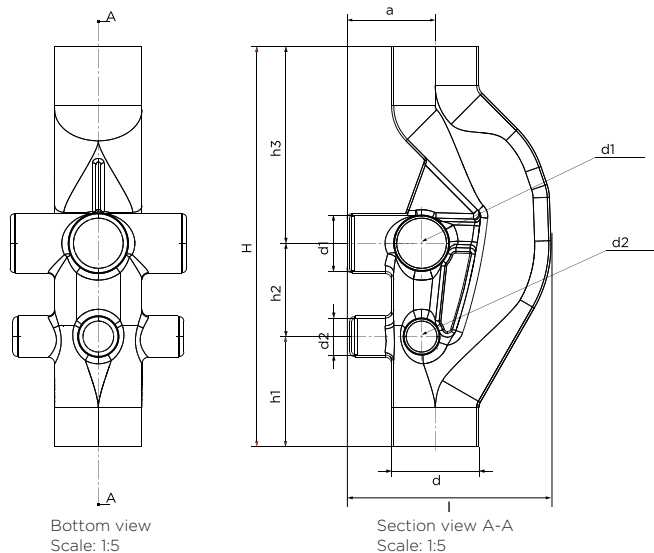
**VENTOS
VENTILATION
BRANCH**

Apliance:

- Waste water drainage in buildings
- For buildings higher then 5 floors
- Six possible ways for connections

Tech. specification

Maximum capacity outflow 17l/s



DN	d, Ø	d1 Ø	d2 Ø	a	H	h1	h2	h3	l
[mm]	[mm]	[mm]	[mm]	[cm]	[cm]	[cm]	[cm]	[cm]	[cm]
110	110	110	75	135	730	245	170	315	320
160	160	110	75	147	730	359	170	200	365



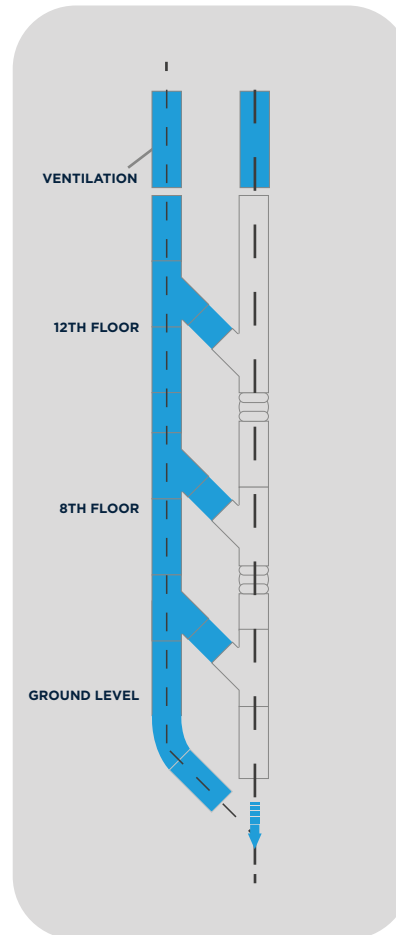
+381 034 700 300
OFFICE@PESTAN.NET
PUT 1300 KAPLARA 188
ARANDJELOVAC
34300 SERBIA
WWW.PESTAN.NET



VENTOS VENTILATION BRANCH

PARALLEL VENTILATION

During the construction of high buildings with traditional verticals the sudden change of pressure can happen in those verticals, that can lead to appearance of the subpressure that can pull the content out of the horizontal pipes attached to the vertical and that can lead to pipe cracking. Also great pressure can blow the content out of the pipes and because of those reasons during the construction the wider verticals are taken into account. Also parallel ventilation that is connected to vertical in regular spacings.



Ventilation in high buildings

CONNECTABLE VERTICAL PIECE - PIECE WITH GREATER CAPACITY

OPTIMIZATION OF FLOW IN HIGH BUILDINGS

Pestan vertical piece with greater flow enables increase of the capacity on verticals up to multiple times. Also removes the necessity for creating the parallel ventilation.

MODERN AND ECONOMICAL SOLUTION - REPLACEMENT FOR TRADITIONAL WAY OF DRAINAGE AND VENTILATION

Thanks to Pestan ventilation branch you can let go of traditional ways of projecting and placing of the drainage systems in buildings. Now there is economically and technically reliable solution. Besides that it provides undisturbed flow of the air between horizontal and vertical pipes Pestan ventilation branch removes any possibility of creating of air pockets in the vertical. All this enables projecting and placing of the verticals without creating parallel ventilations which decreases the costs of the constructions.

COMPATIBILITY WITH PESTAN SYSTEMS

Pestan ventilation branch is made for verticals in diameters $\varnothing 110$ and $\varnothing 160$ with lateral insertions 110 and 75. It is compatible with S-line, HTPP and PVC systems.

TRADITIONAL WAY OF CONNECTING HORIZONTAL FLOOR PIPE AND VERTICAL

When water from vertical pipe reaches the horizontal subpressure can appear that can lead to unwanted consequences such as blow out of the pipe content.

PESTAN VENTILATION BRANCH

This hydraulically optimized piece for floor attachments enables that dimensions of verticals be smaller and it eliminates parallel vents which saves time, space and money.

- **Modern technical solution**
- **Economical construction solution**
- **Increase of vertical capacity**
- **Compatibility with all Pestan sewage systems**