

CONFLUO PREMIUM LINE GLASS GOLD



CONFLUO PREMIUM LINE GLASS GOLD

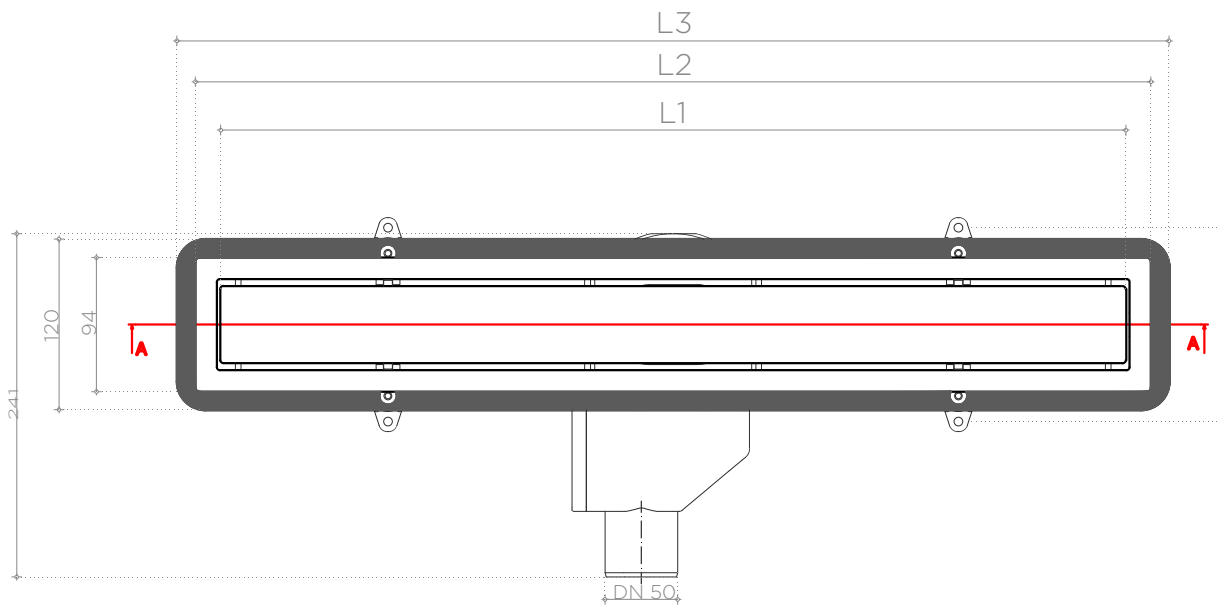
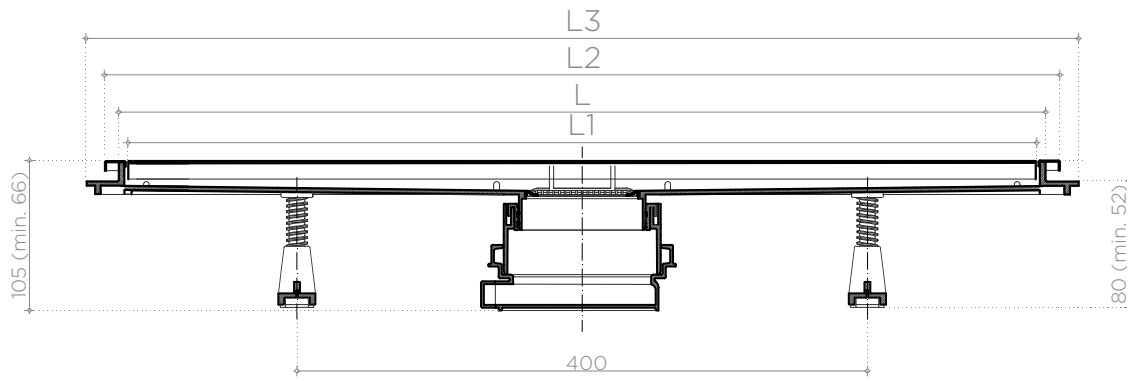
Peštan Confluo Premium LINE GLAS GOLD drain made from polipropilen with ABS made grid holder, with no side inlets and one horizontal DN 50mm outlet, minimum installation height of 52mm and flow rate of 48 l/min. Base of drain without socket with water sealing height of 25 mm, with height adjustable reducer for linear drain and feet for height and inclination adjustment and with hair stopper. 24k gold plated stainless steel mask and grate made of white or black tempered glass, class K3.

IMPORTANT TECHNICAL INFORMATION	
Minimum installation height	52mm
Lenghts (sizes represent lenght of grid)	300mm, 450mm, 550mm, 650mm, 750mm, 850mm
Width holder of grid/mask/grid	120mm/94mm/55mm
Flow rate (by EN 1253)	48 l/min
Outlet	Ø 50mm
Water seal height	25mm
Maximum ceramic thickness between holder of grid and grid (numbers describe constructional height, without glue for ceramics)	12mm/14mm
Grid material	Stainless steel AISI 304 (optional AISI 316) 24 carat gold plated with the addition of black or white glass
Body material	ABS (holder of grid)/PP (reducer, base)

MAIN ADVANTAGES:

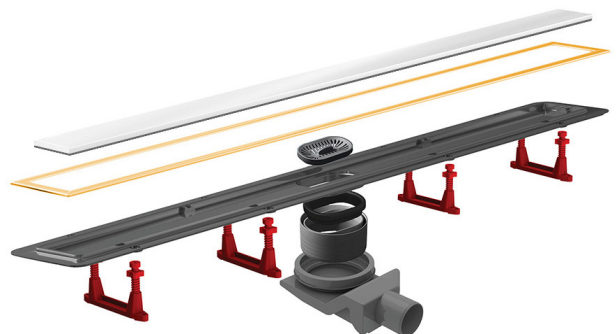
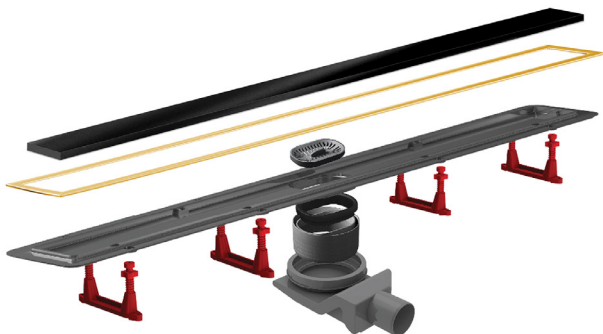
- Low installation height - 52mm
- High flow rate - 48 l/min
- Modular and Flexible - 2 in 1 system
- Easy installation & maintenance
- 360° rotatable self-cleaning S base
- Elegant glass grid with chamfered edges

52 mm	48l/min	2 in 1 system	
50 outlet	360° base rotation	25 mm	

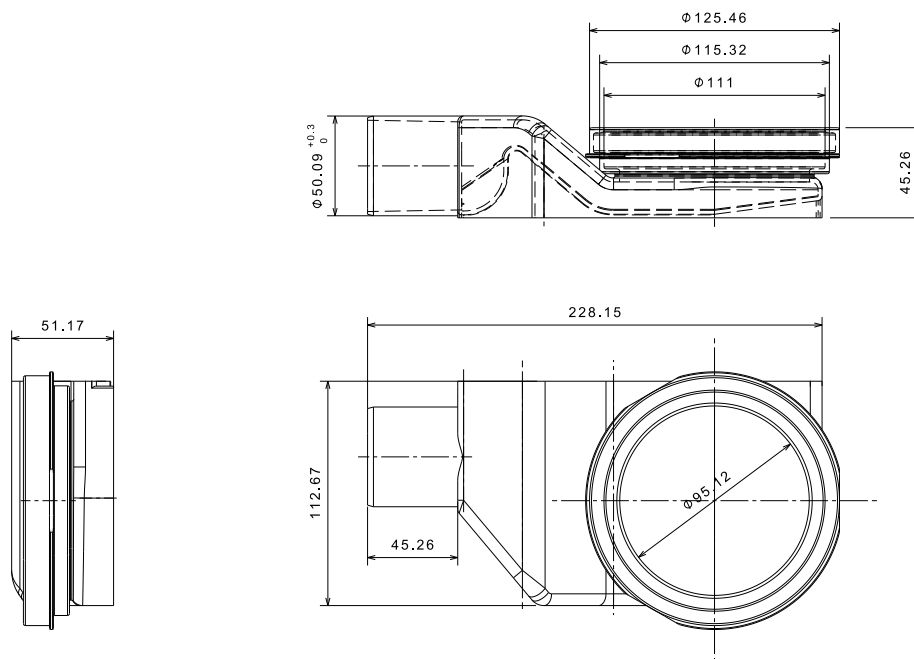


NOTE: Drains in length of 300,450 i 550 come in package with two sets of legs for adjusting of height. Drains in length 650,750 i 850 come in package with four sets of legs for adjusting of height.

L mm	300	450	550	650	750	850
L1 mm	298	438	538	638	738	838
L2 mm	320	470	570	670	770	870
L3 mm	346	496	596	696	796	896



Code	Name	Weight	Box dimensions
13100113	CO.PR.DRAIN"LINE 300"GOLD W.BL. GLASS +	1,973 kg	680mm x 170mm x 130mm
13100114	CO.PR.DRAIN"LINE 450"GOLD W.BL. GLASS +	2,392 kg	680mm x 170mm x 130mm
13100115	CO.PR.DRAIN"LINE 550"GOLD W.BL. GLASS +	2,714 kg	680mm x 170mm x 130mm
13100116	CO.PR.DRAIN"LINE 650"GOLD W.BL. GLASS +	3,278 kg	960mm x 170mm x 130mm
13100117	CO.PR.DRAIN"LINE 750"GOLD W.BL. GLASS +	3,516 kg	960mm x 170mm x 130mm
13100118	CO.PR.DRAIN"LINE 850"GOLD W.BL. GLASS +	4,021 kg	960mm x 170mm x 130mm
13100119	CO.PR.DRAIN"LINE 300"GOLD W.WH. GLASS +	1,972 kg	680mm x 170mm x 130mm
13100120	CO.PR.DRAIN"LINE 450"GOLD W.WH. GLASS +	2,402 kg	680mm x 170mm x 130mm
13100121	CO.PR.DRAIN"LINE 550"GOLD W.WH. GLASS +	2,714 kg	680mm x 170mm x 130mm
13100122	CO.PR.DRAIN"LINE 650"GOLD W.WH. GLASS +	3,26 kg	960mm x 170mm x 130mm
13100123	CO.PR.DRAIN"LINE 750"GOLD W.WH. GLASS +	3,65 kg	960mm x 170mm x 130mm
13100124	CO.PR.DRAIN"LINE 850"GOLD W.WH. GLASS +	4,021 kg	960mm x 170mm x 130mm



Ultra low S base

