

CONFLUO PREMIUM LINE GLASS



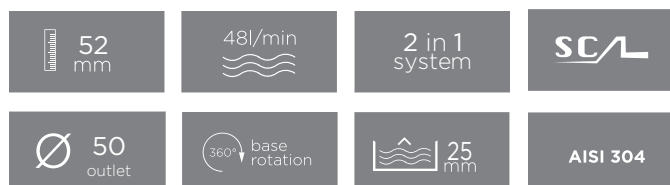
CONFLUO PREMIUM LINE GLASS

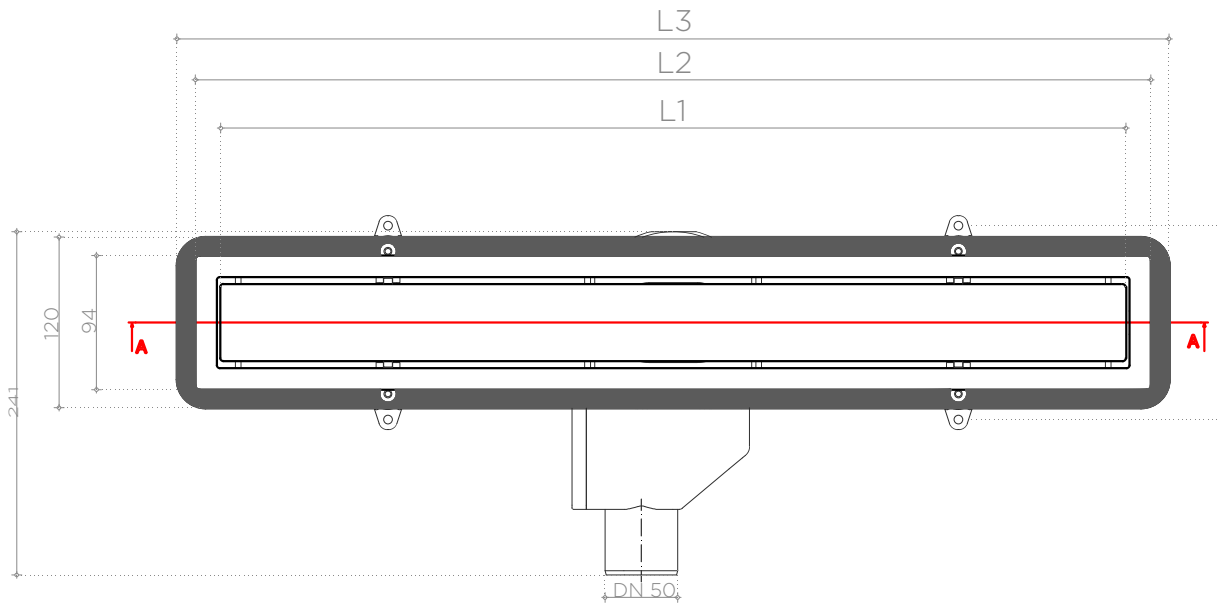
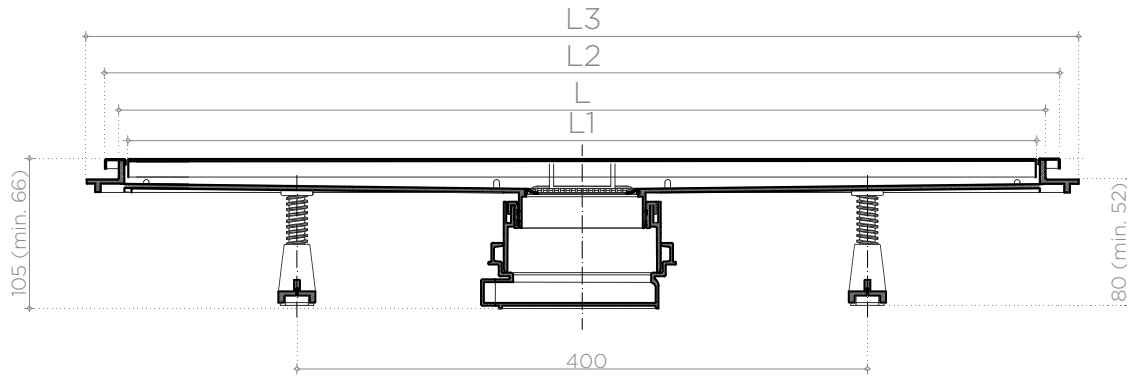
Peštan Confluo Premium LINE GLASS drain made of polypropylene with ABS grid holder, with no side inlets and one horizontal DN 50mm outlet. Minimum installation height of 52mm and flow rate of 48 l/min. Base of the drain without socket with water sealing height of 25mm, with height adjustable reducer for linear drain, legs for height and inclination adjustment and with hair stopper. Stainless steel mask and grid made from white or black tempered glass.

IMPORTANT TECHNICAL INFORMATION	
Minimum installation height	52mm
Lenghts (sizes represent lenght of grid)	300mm, 450mm, 550mm, 650mm, 750mm, 850mm, 950mm
Width holder of grid/mask/grid	120mm/94mm/55mm
Flow rate (by EN 1253)	48 l/min
Outlet	Ø 50mm
Water seal height	25mm
Maximum ceramic thickness between holder of grid and grid (numbers describe constructional height, without glue for ceramics)	12mm/14mm
Grid material	Stainless steal AISI 304 (optional AISI 316) black or white glass
Body material	ABS (holder of grid)/PP (reducer, base)

MAIN ADVANTAGES:

- Low installation height - 52mm
- High flow rate - 48 l/min
- Modular and Flexible - 2 in 1 system
- Easy installation & maintenance
- 360° rotatable self-cleaning S base
- Elegant glass grid with chamfered edges



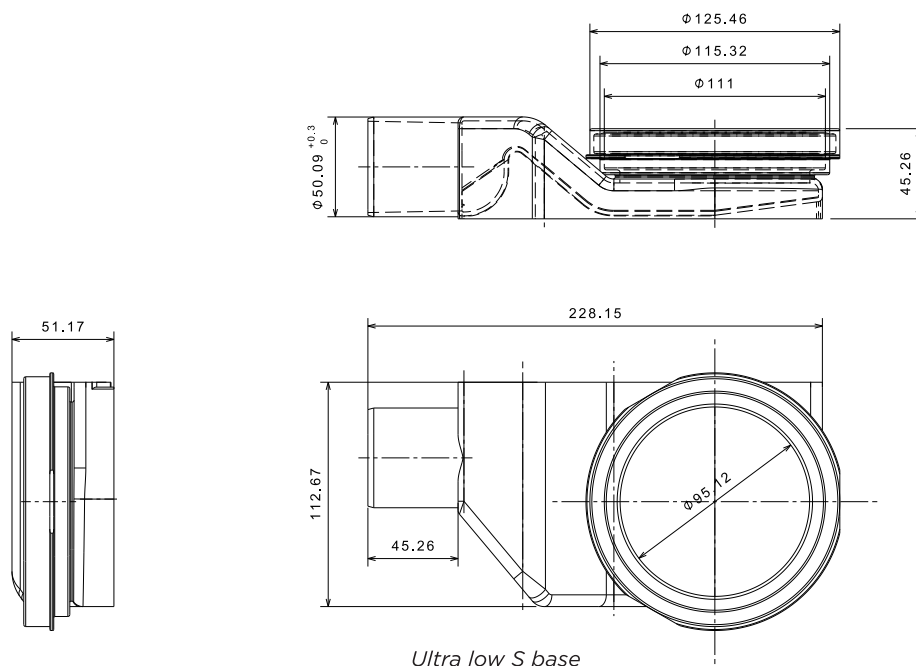


NOTE: Drains in length of 300, 450, 550 and 650 come in package with two sets of legs for adjusting of height. Drains in length 750, 850 and 950 come in package with four sets of legs for adjusting of height.

L mm	300	450	550	650	750	850	950
L1 mm	298	438	538	638	738	838	938
L2 mm	320	470	570	670	770	870	970
L3 mm	346	496	596	696	796	896	996



Code	Name	Weight	Box dimensions
13000290	CONF "PREMIUM LINE 300 BLACK GLASS" NEW	1,943 kg	680mm x 170mm x 130mm
13000291	CONF "PREMIUM LINE 450 BLACK GLASS" NEW	2,4 kg	680mm x 170mm x 130mm
13000292	CONF "PREMIUM LINE 550 BLACK GLASS" NEW	2,655 kg	680mm x 170mm x 130mm
13000293	CONF "PREMIUM LINE 650 BLACK GLASS" NEW	3,11 kg	960mm x 170mm x 130mm
13000294	CONF "PREMIUM LINE 750 BLACK GLASS" NEW	3,566 kg	960mm x 170mm x 130mm
13000295	CONF "PREMIUM LINE 850 BLACK GLASS" NEW	3,847 kg	960mm x 170mm x 130mm
13000351	CONF "PREMIUM LINE 950 BLACK GLASS" NEW	4,231 kg	1280mm x 170mm x 130mm
13000280	CONF "PREMIUM LINE 300 WHITE GLASS" NEW	1,943 kg	680mm x 170mm x 130mm
13000281	CONF "PREMIUM LINE 450 WHITE GLASS" NEW	2,4 kg	680mm x 170mm x 130mm
13000282	CONF "PREMIUM LINE 550 WHITE GLASS" NEW	2,655 kg	680mm x 170mm x 130mm
13000283	CONF "PREMIUM LINE 650 WHITE GLASS" NEW	3,11 kg	960mm x 170mm x 130mm
13000284	CONF "PREMIUM LINE 750 WHITE GLASS" NEW	3,566 kg	960mm x 170mm x 130mm
13000285	CONF "PREMIUM LINE 850 WHITE GLASS" NEW	3,847 kg	960mm x 170mm x 130mm
13000352	CONF "PREMIUM LINE 950 WHITE GLASS" NEW	4,231 kg	1280mm x 170mm x 130mm



Ultra low S base

