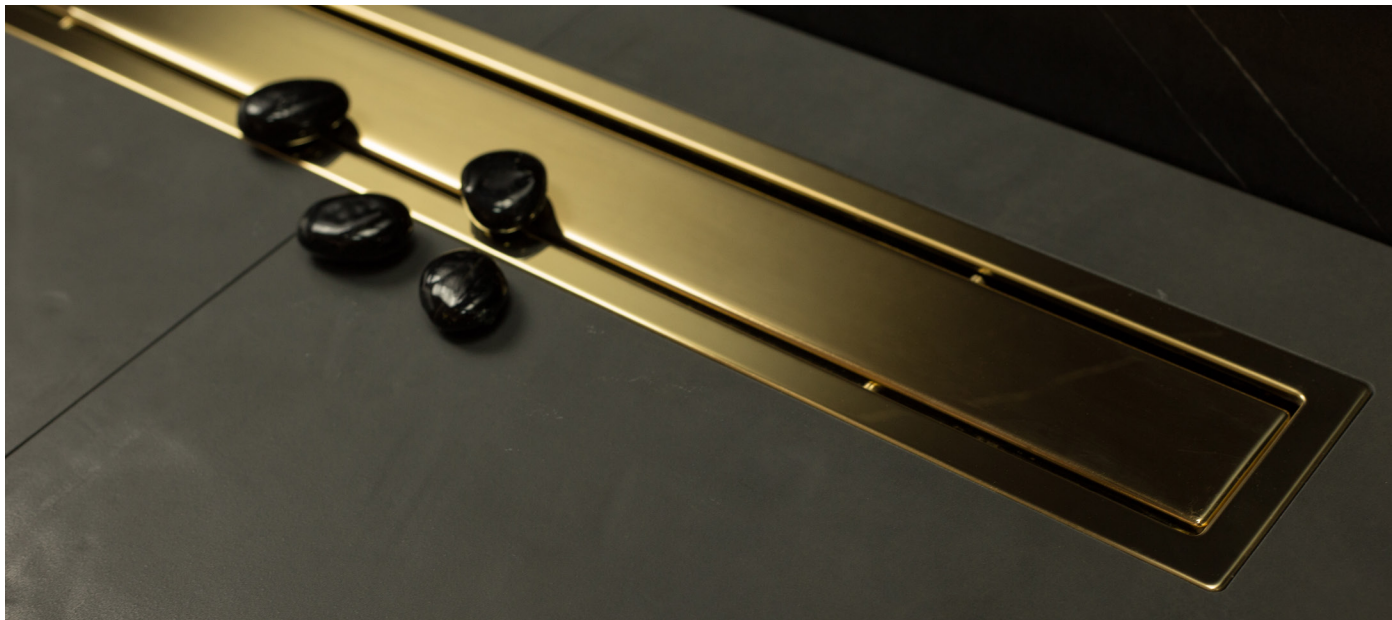


## CONFLUO PREMIUM LINE GOLD



## CONFLUO PREMIUM LINE GOLD

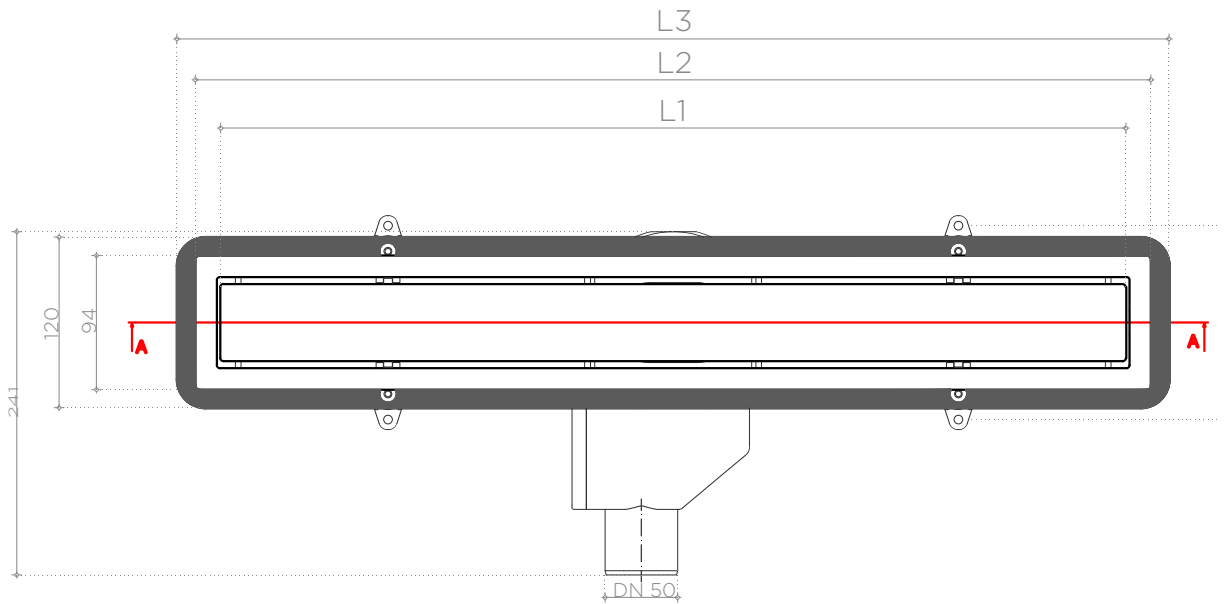
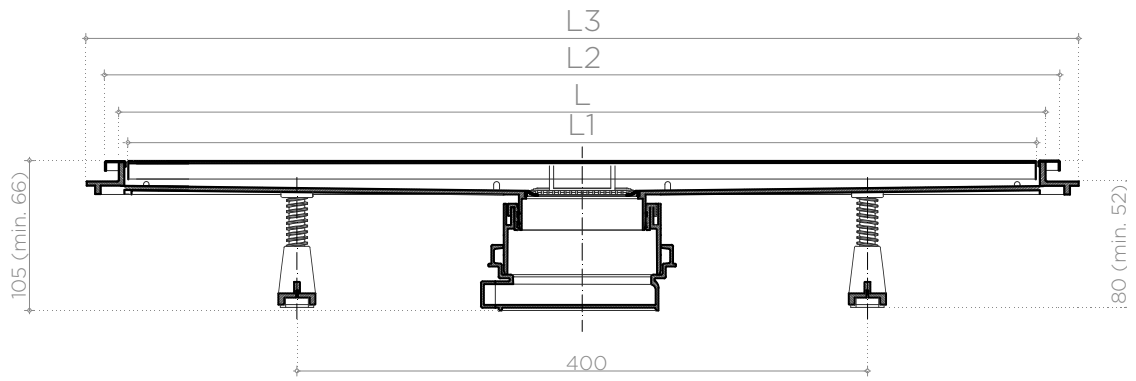
Peštan Confluo Premium LINE GOLD drain made from polipropilen with ABS made grid holder, with no side inlets and one horizontal DN 50mm outlet, minimum installation height of 52mm and flow rate of 48 l/ min. Base of drain without socket with water sealing height of 25 mm, with height adjustable reducer for linear drain and feet for height and inclination adjustment and with hair stopper. Stainless steel grid with the possibility of installing tiles, marble or tempered glas in it. 24k gold plated stainless steel mask and grate.

IMPORTANT TECHNICAL INFORMATION	
Minimum installation height	52mm
Lenghts (sizes represent lenght of grid)	300mm, 450mm, 550mm, 650mm, 750mm, 850mm, 950mm
Width holder of grid/mask/grid	120mm/94mm/55mm
Flow rate (by EN 1253)	48 l/min
Outlet	Ø 50mm
Water seal height	25mm
Maximum ceramic thickness between holder of grid and grid (numbers describe constructional height, without glue for ceramics)	12mm/14mm
Grid material	Stainless steel AISI 304 (optimal AISI 316) 24 carat gold plated
Body material	ABS (grid carrier)/PP (reducer, base)

### MAIN ADVANTAGES:

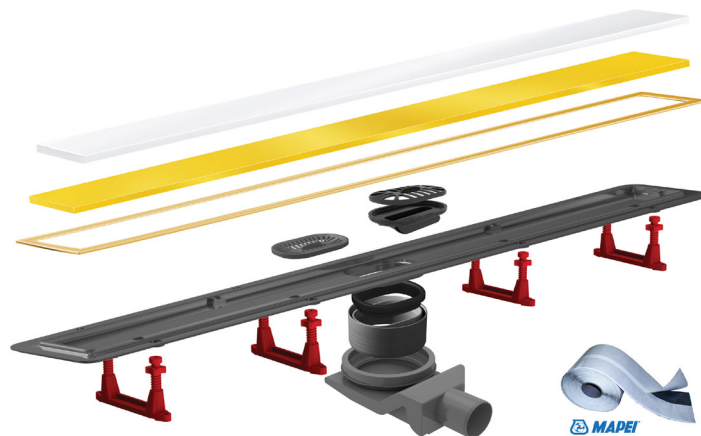
- Low installation height - 52mm
- High flow rate - 48 l/min
- Modular and Flexible - 2 in 1 system
- Easy installation & maintenance
- 360° rotatable self-cleaning S base
- Elegant glass grid with chamfered edges

52 mm	48l/min	2 in 1 system	
50 outlet	360° base rotation	25 mm	AISI 304

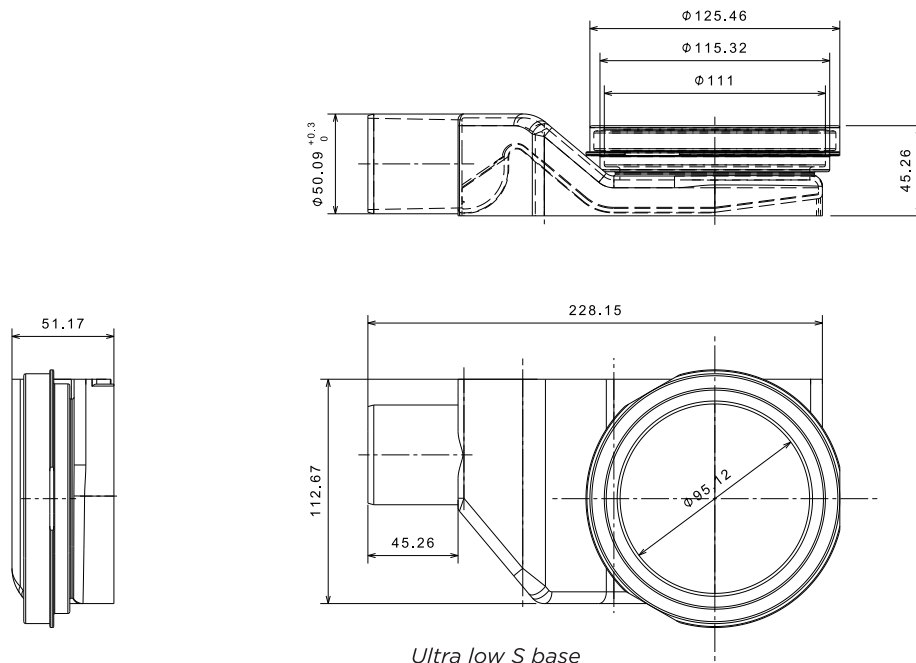


NOTE: Drains in length of 300, 450, 550 and 650 come in package with two sets of legs for adjusting of height. Drains in length 750, 850 and 950 come in package with four sets of legs for adjusting of height.

L mm	300	450	550	650	750	850	950
L1 mm	298	438	538	638	738	838	938
L2 mm	320	470	570	670	770	870	970
L3 mm	346	496	596	696	796	896	996



Code	Name	Weight	Box dimensions
13100050	CONFLUO "PREMIUM LINE 300 GOLD"	1,62 kg	680mm x 170mm x 130mm
13100051	CONFLUO "PREMIUM LINE 450 GOLD"	1,866 kg	680mm x 170mm x 130mm
13100052	CONFLUO "PREMIUM LINE 550 GOLD"	2,063 kg	680mm x 170mm x 130mm
13100053	CONFLUO "PREMIUM LINE 650 GOLD"	1,66 kg	960mm x 170mm x 130mm
13100054	CONFLUO "PREMIUM LINE 750 GOLD"	1,95 kg	960mm x 170mm x 130mm
13100055	CONFLUO "PREMIUM LINE 850 GOLD"	2,986 kg	960mm x 170mm x 130mm
13100167	CONFLUO PREMIUM "LINE 950" GOLD	3,315 kg	1280mm x 170mm x 130mm
13100107	CONFLUO "PREMIUM LINE 300 GOLD"+	1,62 kg	680mm x 170mm x 130mm
13100108	CONFLUO "PREMIUM LINE 450 GOLD"+	1,866 kg	680mm x 170mm x 130mm
13100109	CONFLUO "PREMIUM LINE 550 GOLD"+	2,063 kg	680mm x 170mm x 130mm
13100110	CONFLUO "PREMIUM LINE 650 GOLD"+	1,66 kg	960mm x 170mm x 130mm
13100111	CONFLUO "PREMIUM LINE 750 GOLD"+	1,95 kg	960mm x 170mm x 130mm
13100112	CONFLUO "PREMIUM LINE 850 GOLD"+	2,986 kg	960mm x 170mm x 130mm
13100167	CONFLUO PREMIUM "LINE 950" GOLD	3,315 kg	1280mm x 170mm x 130mm



 PEŠTAN

1300 kaplara br. 189  
34301 Bukovik  
Arandjelovac  
Serbia

Headquarters: +381 (0) 34/700-300  
Commercial: +381 (0) 34/700-336  
+381 (0) 34/700-306  
+381 (0) 34/700-338

office@pestan.net  
www.pestan.net