

## CONFLUO PREMIUM LINE



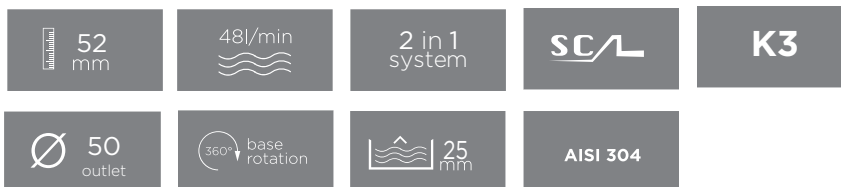
## CONFLUO PREMIUM LINE

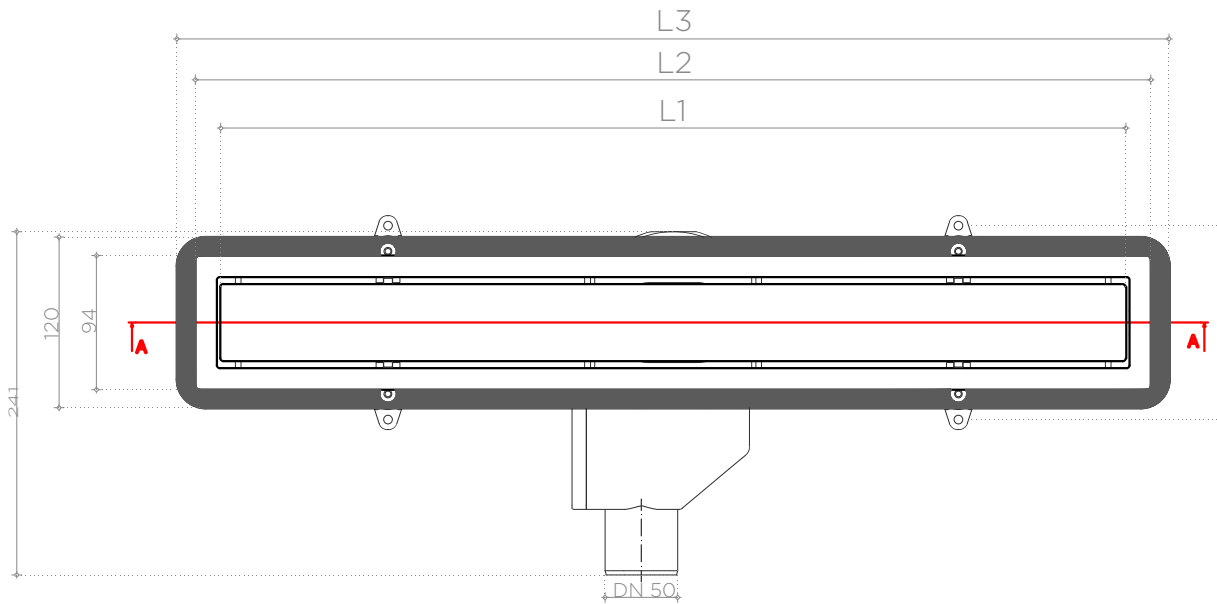
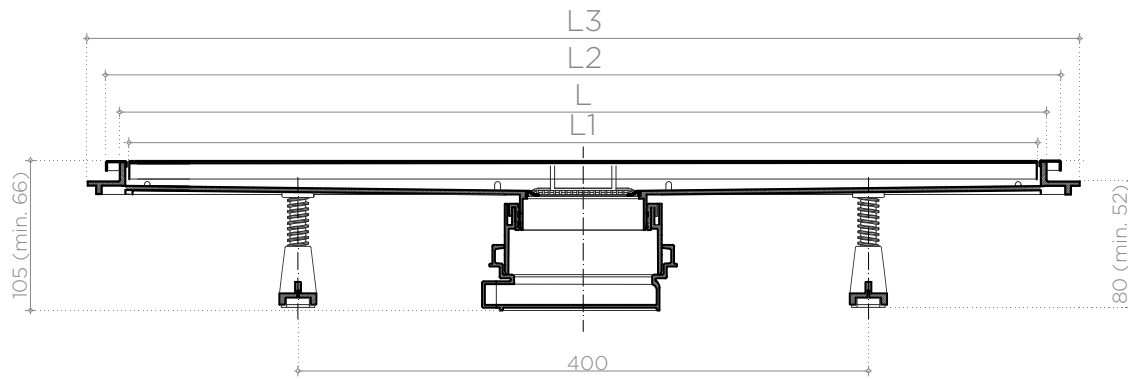
Peštan Confluo Premium LINE drain made of polypropylene with ABS grid holder, with no side inlets and one horizontal DN 50mm outlet, minimum installation height of 52mm and flow rate of 48 l/min. Base of the drain without socket with water sealing height of 25mm, with height adjustable reducer for linear drain, feet for height and inclination adjustment and with hair stopper. Stainless steel grid with the possibility of installing ceramic tiles, marble or glass in it. Stainless steel mask and grid class K3.

IMPORTANT TECHNICAL INFORMATION	
Minimum installation height	52mm
Lengths (sizes represent length of grid)	300mm, 450mm, 550mm, 650mm, 750mm, 850mm, 950mm
Width holder of grid/mask/grid	120mm/94mm/55mm
Flow rate (by EN 1253)	48 l/min
Outlet	Ø 50mm
Water seal height	25mm
Maximum ceramic thickness between holder of grid and grid (numbers describe constructional height, without glue for ceramics)	12mm/14mm
Grid load class (by EN 1253)	K3 - withstands 300 kg pressure
Grid material	Stainless steel AISI 304 (optional AISI 316)
Body material	ABS (holder of grid)/PP (reducer, base)

### MAIN ADVANTAGES:

- Low installation height - 52mm
- High flow rate - 48 l/min
- Modular and Flexible - 2 in 1 system
- Easy installation & maintenance
- 360° rotatable self-cleaning S base
- Elegant glass grid with chamfered edges





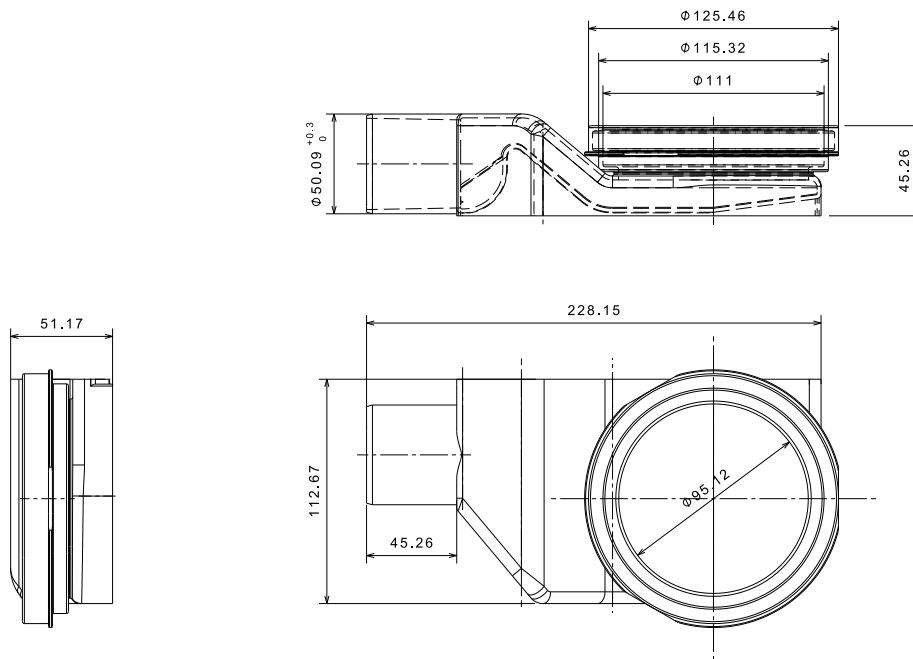
NOTE: Drains in length of 300, 450, 550 and 650 come in package with two sets of legs for adjusting of height. Drains in length 750, 850 and 950 come in package with four sets of legs for adjusting of height.

L mm	300	450	550	650	750	850	950
L1 mm	298	438	538	638	738	838	938
L2 mm	320	470	570	670	770	870	970
L3 mm	346	496	596	696	796	896	996



Code	Name	Weight	Box dimensions
13100001	CONFLUO "PREMIUM LINE 300"	1,644 kg	680mm x 170mm x 130mm
13100002	CONFLUO "PREMIUM LINE 450"	1,947 kg	680mm x 170mm x 130mm
13100003	CONFLUO "PREMIUM LINE 550"	2,137 kg	680mm x 170mm x 130mm
13100004	CONFLUO "PREMIUM LINE 650"	2,466 kg	960mm x 170mm x 130mm
13100005	CONFLUO "PREMIUM LINE 750"	2,762 kg	960mm x 170mm x 130mm
13100006	CONFLUO "PREMIUM LINE 850"	2,999 kg	960mm x 170mm x 130mm
13100007	CONFLUO "PREMIUM LINE 950"	3,471 kg	1280mm x 170mm x 130mm

13000297	CONFLUO "PREMIUM LINE 300" +	1,644 kg	680mm x 170mm x 130mm
13000298	CONFLUO "PREMIUM LINE 450" +	1,947 kg	680mm x 170mm x 130mm
13000299	CONFLUO "PREMIUM LINE 550" +	2,137 kg	680mm x 170mm x 130mm
13000300	CONFLUO "PREMIUM LINE 650" +	2,466 kg	960mm x 170mm x 130mm
13000301	CONFLUO "PREMIUM LINE 750" +	2,762 kg	960mm x 170mm x 130mm
13000302	CONFLUO "PREMIUM LINE 850" +	2,999 kg	960mm x 170mm x 130mm
13100007	CONFLUO "PREMIUM LINE 950"	3,471 kg	1280mm x 170mm x 130mm



Ultra low S base

