

## CONFLUO PREMIUM LINE



## CONFLUO PREMIUM LINE

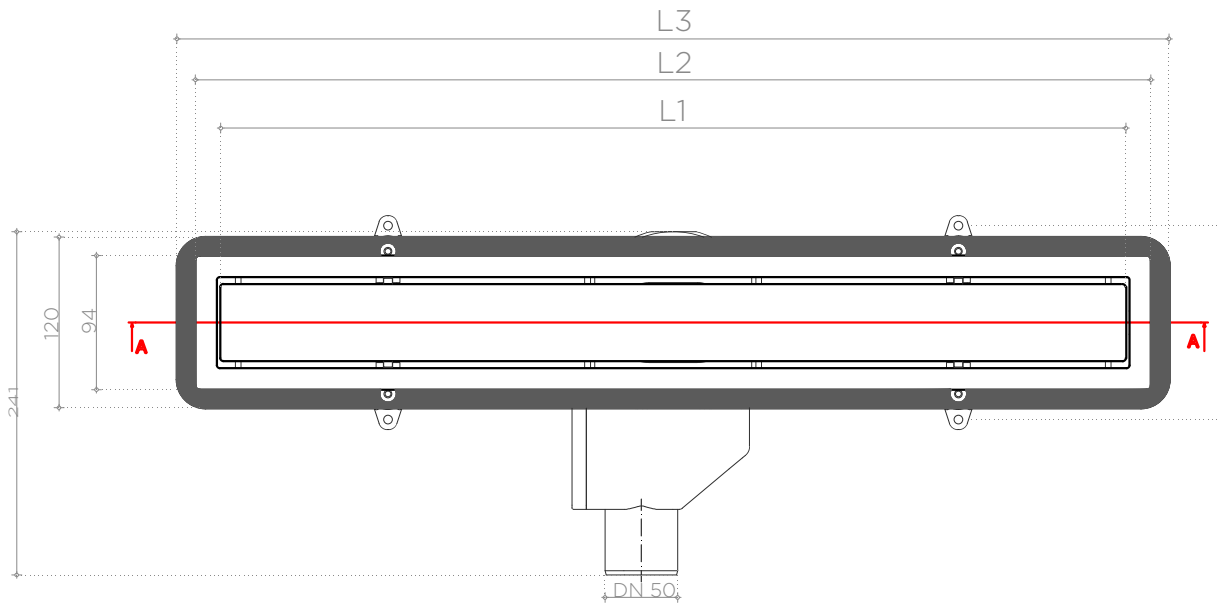
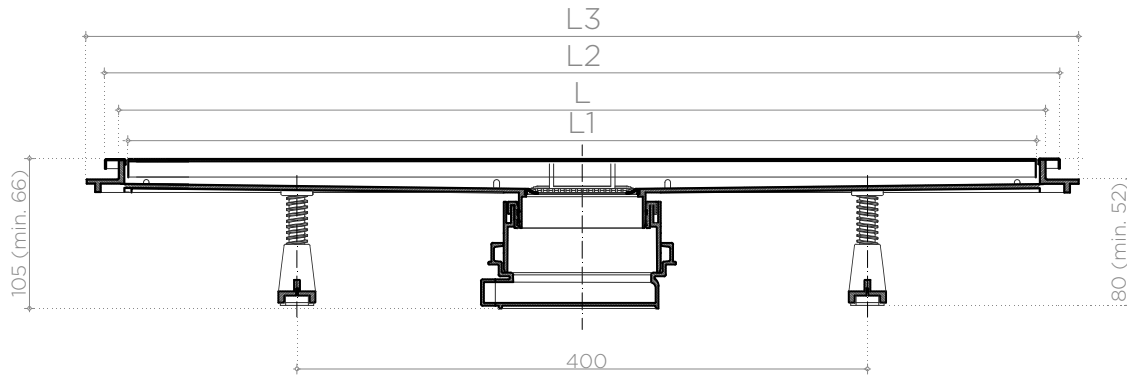
Peštan Confluo Premium LINE drain made of polypropylene with ABS grid holder, with no side inlets and one horizontal DN 50mm outlet, minimum installation height of 52mm and flow rate of 48 l/min. Base of the drain without socket with water sealing height of 25mm, with height adjustable reducer for linear drain, feet for height and inclination adjustment and with hair stopper. Stainless steel grid with the possibility of installing ceramic tiles, marble or glass in it. Stainless steel mask and grid class K3.

IMPORTANT TECHNICAL INFORMATION	
Minimum installation height	52mm
Lengths (sizes represent length of grid)	300mm, 450mm, 550mm, 650mm, 750mm, 850mm
Width holder of grid/mask/grid	120mm/94mm/55mm
Flow rate (by EN 1253)	48 l/min
Outlet	Ø 50mm
Water seal height	25mm
Maximum ceramic thickness between holder of grid and grid (numbers describe constructional height, without glue for ceramics)	12mm/14mm
Grid load class (by EN 1253)	K3 - withstands 300 kg pressure
Grid material	Stainless steel AISI 304 (optional AISI 316)
Body material	ABS (holder of grid)/PP (reducer, base)

### MAIN ADVANTAGES:

- Low installation height - 52mm
- High flow rate - 48 l/min
- Modular and Flexible - 2 in 1 system
- Easy installation & maintenance
- 360° rotatable self-cleaning S base
- Elegant glass grid with chamfered edges

52 mm	48l/min	2 in 1 system	SC/L	K3
50 outlet	360° base rotation	25 mm	AISI 304	



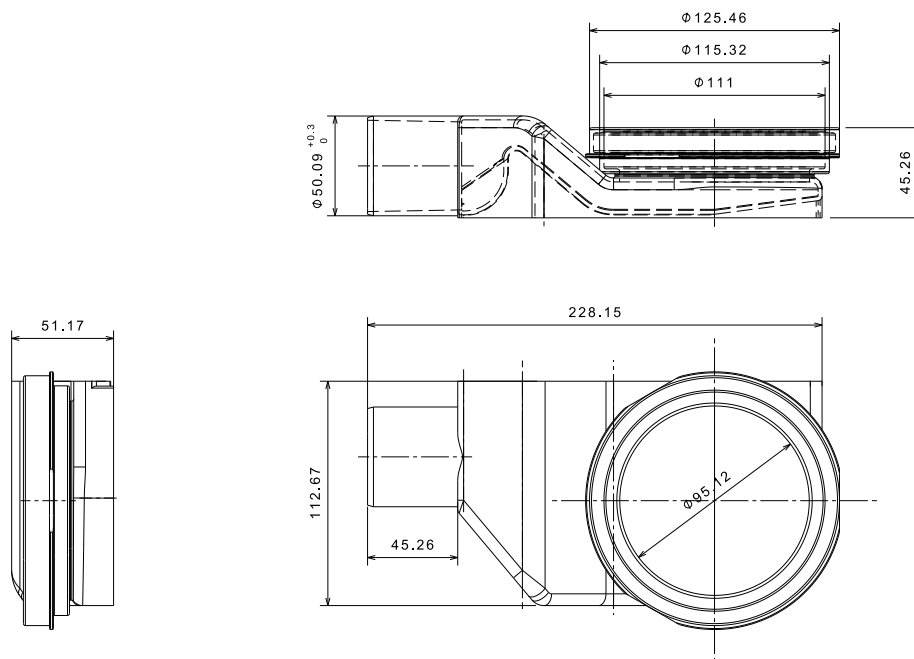
NOTE: Drains in length of 300, 450, 550 and 650 come in package with two sets of legs for adjusting of height. Drains in length 750 and 850 come in package with four sets of legs for adjusting of height.

L mm	300	450	550	650	750	850
L1 mm	298	438	538	638	738	838
L2 mm	320	470	570	670	770	870
L3 mm	346	496	596	696	796	896



Code	Name	Weight	Box dimensions
13100001	CONFLUO "PREMIUM LINE 300"	1,044 kg	680mm x 170mm x 130mm
13100002	CONFLUO "PREMIUM LINE 450"	1,3 kg	680mm x 170mm x 130mm
13100003	CONFLUO "PREMIUM LINE 550"	1,49 kg	680mm x 170mm x 130mm
13100004	CONFLUO "PREMIUM LINE 650"	1,655 kg	960mm x 170mm x 130mm
13100005	CONFLUO "PREMIUM LINE 750"	1,935 kg	960mm x 170mm x 130mm
13100006	CONFLUO "PREMIUM LINE 850"	2,115 kg	960mm x 170mm x 130mm

13000297	CONFLUO "PREMIUM LINE 300" +	1,044 kg	680mm x 170mm x 130mm
13000298	CONFLUO "PREMIUM LINE 450" +	1,3 kg	680mm x 170mm x 130mm
13000299	CONFLUO "PREMIUM LINE 550" +	1,49 kg	680mm x 170mm x 130mm
13000300	CONFLUO "PREMIUM LINE 650" +	1,655 kg	960mm x 170mm x 130mm
13000301	CONFLUO "PREMIUM LINE 750" +	1,935 kg	960mm x 170mm x 130mm
13000302	CONFLUO "PREMIUM LINE 850" +	2,115 kg	960mm x 170mm x 130mm



Ultra low S base

 PEŠTAN

1300 Kaplara br. 189  
34301 Bukovik, Aranđelovac  
Srbija

office@pestan.net  
www.pestan.net

Centrala: +381 (0) 34/700-300  
Komercijala: +381 (0) 34/700-336  
+381 (0) 34/700-306  
+381 (0) 34/700-338