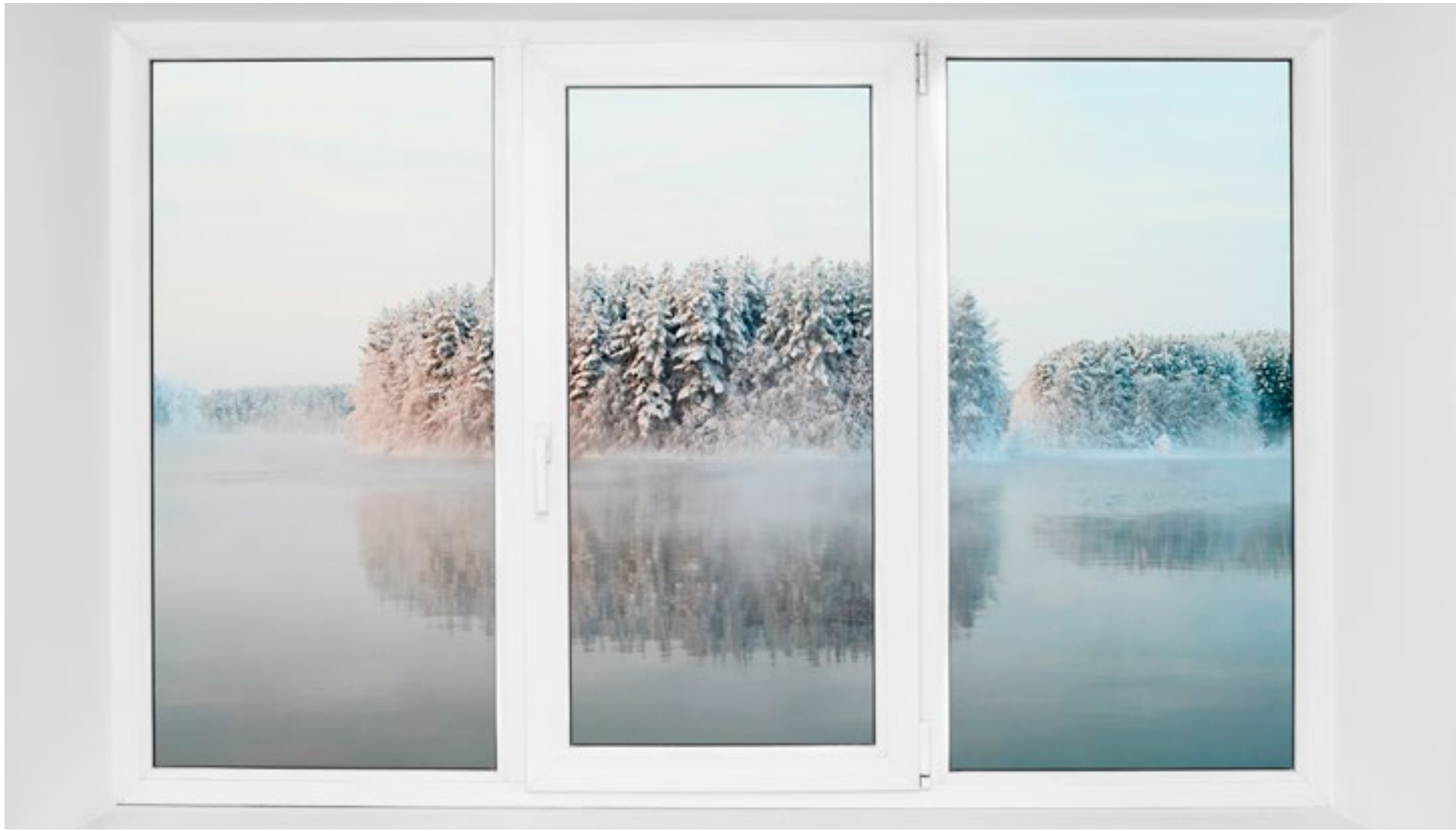




WINDOWS



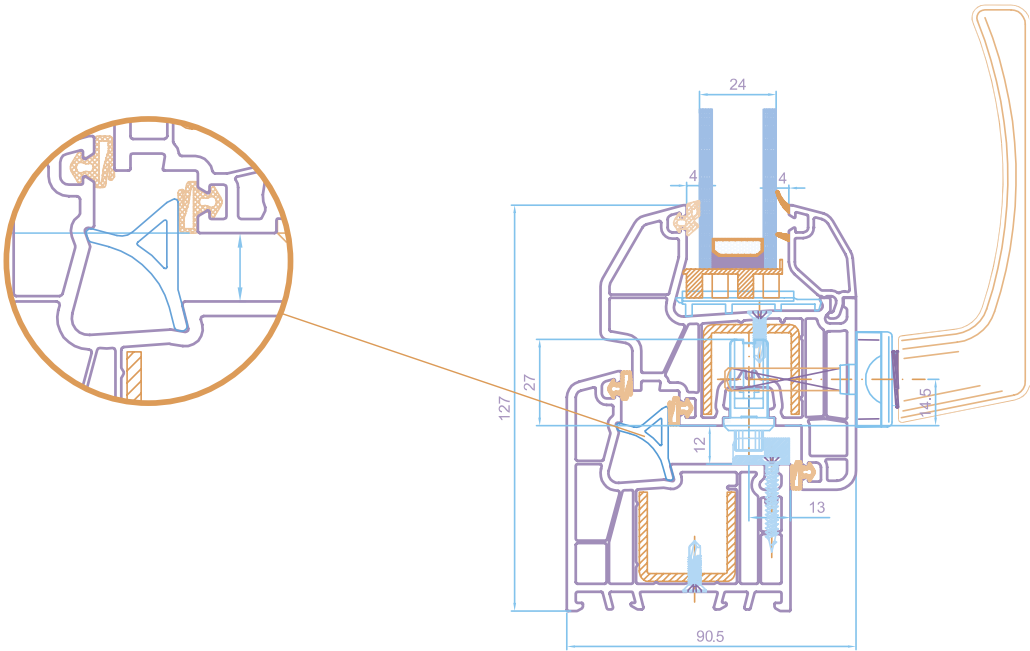


WINDOWS

For high quality PVC joinery Pestan provides the **THIRD SEALING**
 -Triple sealing is solved by inserting the support (clip) in the frame profile!

“PEŠTAN” DEVELOPED PVC JOINERY THAT FULLY MEETS LATEST EUROPEAN STANDARDS AND MODERN CRITERIA AND OFFERED TO CUSTOMERS AFFORDABLE PRICE FOR REAL VALUE AND PRODUCTS.

- **CHAMBER SYSTEM** - Five chambers ensure isolation. Coefficient ideal heat transfer $K = 0.98 \text{ W / m}^2\text{K}$ with low-emission glass in variant width 24mm and 28 mm.
- The German technology of PVC profiles.
- ECO-PROFILE CaZn stabilizer (Absence of Lead).
- German certificate for profile and finished product.



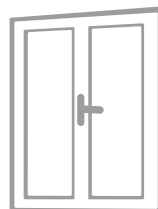
In addition to the standard dimensions, they can be made towards the joinery wishes and requirements of the customer. Also, if desired, required glass that a customer requests can be implemented (all types and thickness of glass) as well as decorative panels for entrance doors.

- OSHACKLE -USE OF SHACKLES OF RENOWNED MANUFACTURERS SUCH AS SIGENIA, ROTO, VABIS ...
- HEAT TRANSFER COEFFICIENT $K = 0.98 \text{ W} / \text{M}^2\text{K}$
- MACHINES FOR MAKING JOINERY BY KNOWN MANUFACTURER ELUMATEC
- POSSIBLE DOMESTIC OR CENTRAL SEALING SYSTEM
- INTERCHANGEABLE RUBBER (POSSIBILITY OF REPLACING SEAL)
- DRAIN CONDENSATE THROUGH THE SPECIAL CHAMBER
- CHAMBER SYSTEM - CHAMBER OF FIVE PARTS PROVIDES AN EXCELLENT INSULATION





SINGLE WINDOW	
MATERIAL CODE	DIMENSIONS (WIDTH X HEIGHT)
40002460	60 x 60 LEVI
40002461	60 x 60 DESNI
40002462	60 x 80 LEVI
40002463	60 x 80 DESNI
40002464	80 x 100 LEVI
40002465	80 x 100 DESNI
40002466	80 x 120 LEVI
40002467	80 x 120 DESNI
40002468	100 x 100 LEVI
40002469	100 x 100 DESNI
40002470	100 x 120 LEVI
40002471	100 x 120 DESNI
40002472	80 x 140 LEVI
40002473	80 x 140 DESNI
40002475	100 x 140 LEVI
40002476	100 x 140 DESNI
40002477	120 x 120 LEVI
40002478	120 x 120 DESNI



DOUBLE WINDOW	
MATERIAL CODE	DIMENSIONS (WIDTH X HEIGHT)
40002479	120 x 120
40002480	120 x 140
40002481	140 x 140
40002482	140 x 120
40002483	160 x 140

DOUBLE WINDOW WITH MIDDLE PILLAR	
MATERIAL CODE	DIMENSIONS (WIDTH X HEIGHT)
40002484	120 x 120

SINGLE BALCONY DOOR	
MATERIAL CODE	DIMENSIONS (WIDTH X HEIGHT)
40002485	80 x 210 LEVA
40002486	80 x 210 DESNA
40002487	80 x 220 LEVA
40002488	80 x 220 DESNA

DOUBLE BALCONY DOOR	
MATERIAL CODE	DIMENSIONS (WIDTH X HEIGHT)
40002489	140 x 210
40002490	160 x 210
40002491	140 x 220

