

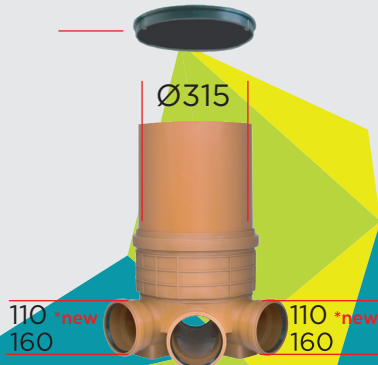
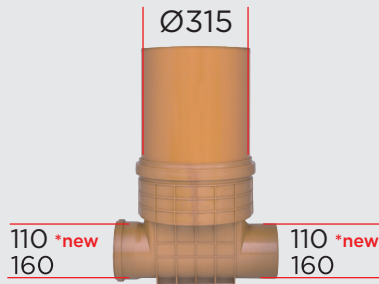
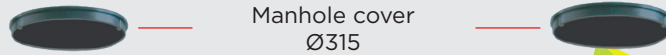
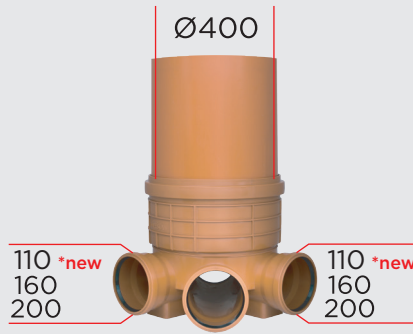
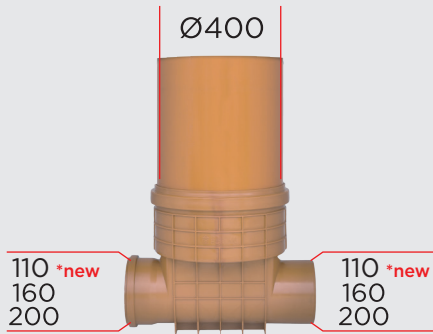
# MANHOLES

Manholes with a gutter at the bottom, are made of PP. The body of manholes and telescopic extensions are made of PVC pipe and PP corugated pipe. These segments are joined with rubber seal for complete watherproofing. Manhole cover is made of composite materials in the class A 150.



PIPING  
SOLUTIONS

# PVC



# PP corugated

