



 **EVO**  
Ultra Thin Line



### **EUTL 650**

Product code  
Chrome: 13700000  
Gold: 13700010

### **EUTL 750**

Product code  
Chrome: 13700001  
Gold: 13700011

### **EUTL 850**

Product code  
Chrome: 13700002  
Gold: 13700012

### **EUTL 950**

Product code  
Chrome: 13700003  
Gold: 13700013

### **EUTL 1050**

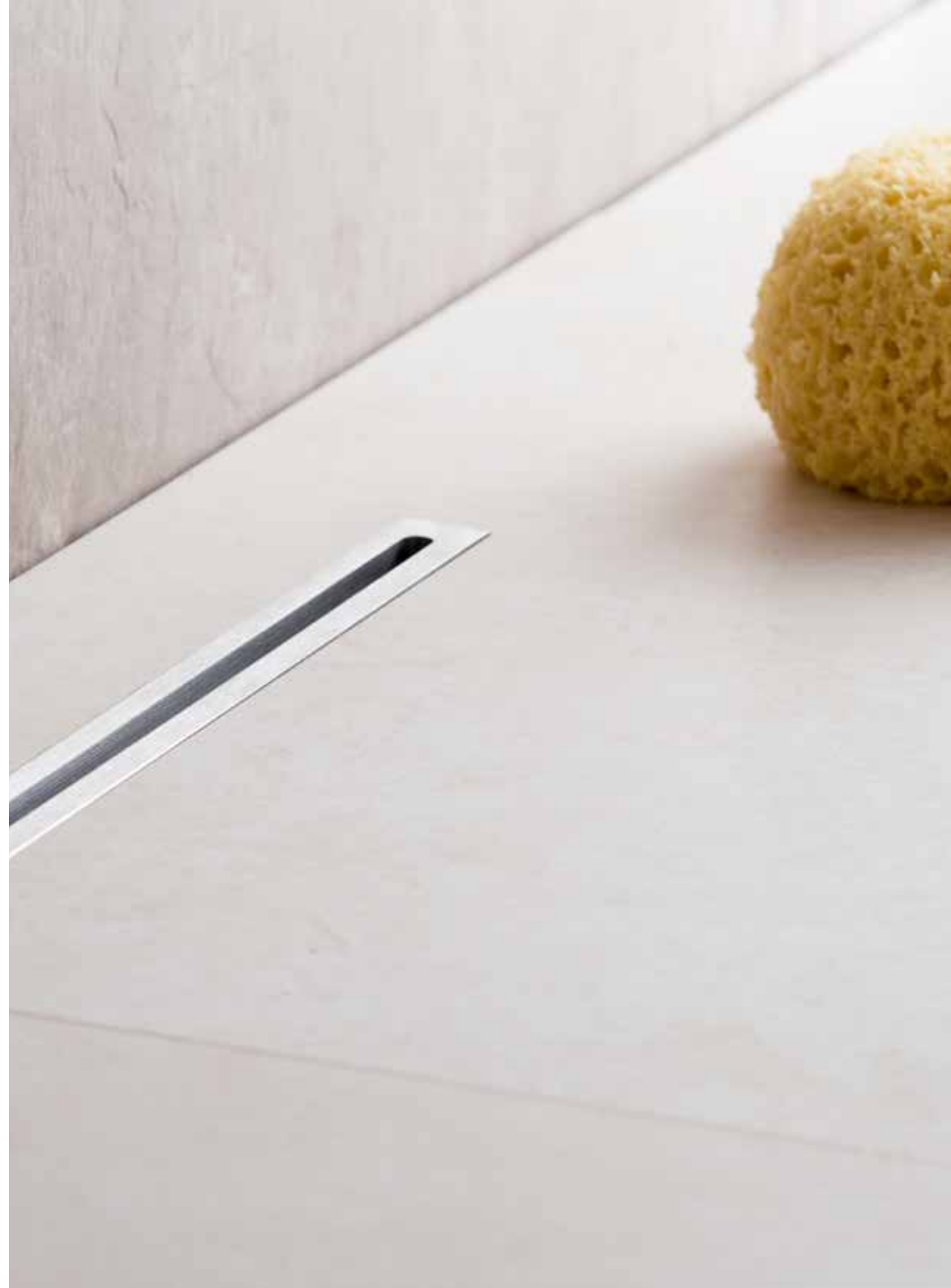
Product code  
Chrome: 13700004  
Gold: 13700014

### **EUTL 1150**

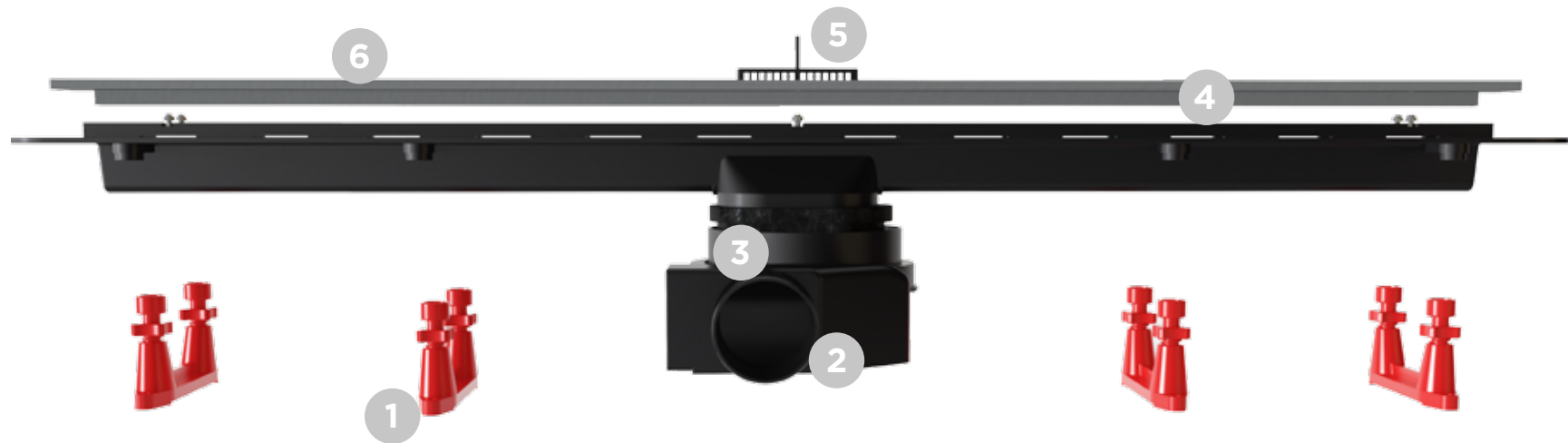
Product code  
Chrome: 13700005  
Gold: 13700015

## EVO Ultra Thin Line

EVO Ultra Thin Line is available in 650mm, 750mm, 850mm, 950mm, 1050mm & 1150mm sizes with design piece "Line" grid made from AISI 304 stainless steel. Grid also have K3 load class and set for levelling of ceramic. Minimum installation height is 77mm and maximum flow rate is 48 l/min which is provided by ultra low 360 degrees rotatable base with 25mm water seal height and output DN 50mm. Model can be cleaned without removing grid so it makes him "Easy 2 Clean" and consist "All you need set" so clients have in box everything needed for the installation. Model is available with 24 carat gold finish grid.



## EVO Ultra Thin Line parts & specs



|          |           |          |      |
|----------|-----------|----------|------|
| 77 mm    | Ø50 mm    | E2C      | K3   |
| 48 L/min | 360°      | ALS      | 25mm |
| 10 Years | 14mm-20mm | AISI 304 |      |

### Variants of grid finishing:

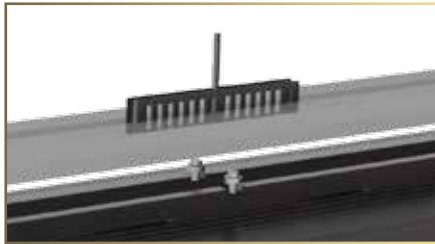
Brushed Chrome  
24k Gold plated

### Legend:

1. Height adjustment legs.
2. Ultra low S Base
3. Reducer with rubber ring
4. Holder of grid
5. Grid for hair
6. Stainless steel "Line" grid



## EVO Ultra Thin Line main advantages



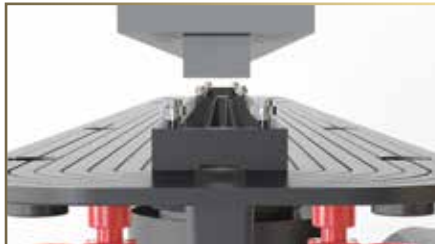
### Easy To Clean

Easy cleaning of drain without removing stainless steel grid.



### Anti Leaking System

Thanks to new design of holder of grid, all condensed and leaked water under the tile finds its way back to the drain. In complete with self-adhesive butyl tape which comes with the product represents the Anti Leak System.



### Leveling of grid

Model has a system for grid leveling so the client can have flexibility in choosing the surface in the bathroom. Adjusting is performed by tightening and loosening of leveling screws in the grid carrier. The grid can be leveled from 14mm up to 20mm of distance between the holder of the grid and the top of the grid.

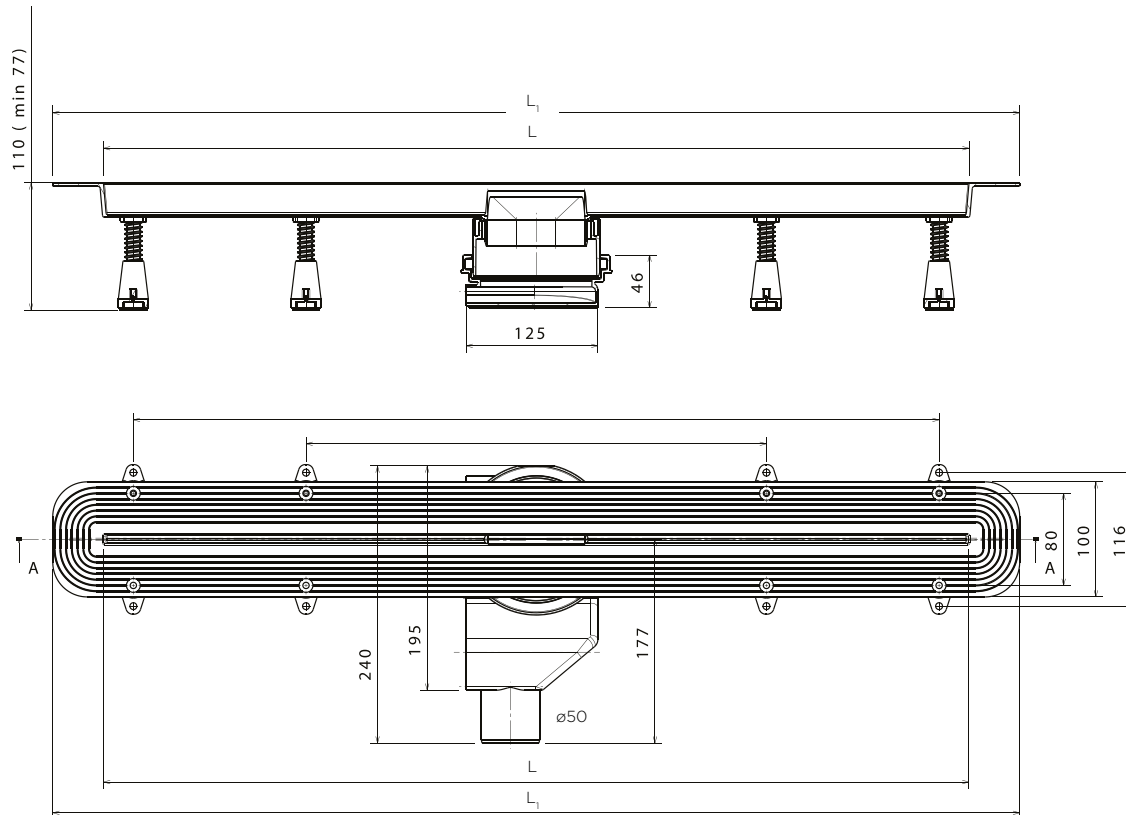


### Adjustment of drain height and base position

Universal solution for adjustment of installation height of the drain and possibility of rotation of the base for 360 degrees.



## EVO Ultra Thin Line Technical



Thanks to universal solution for adjustment height of drain (DN 110mm cuttable reducer) EVO ULTRA THIN shower drain have possibility of installation in both renovation and new building bathroom projects. Minimal installation height is 77mm and maximum is 110mm which fulfills all requests of modern buildings. Height adjustment legs enables extra security during installation and use.

EVO ULTRA THIN shower drain is manufactured in different sizes. In dependence of your needs we offer following sizes: 650mm, 750mm, 850mm, 950mm, 1050mm and 1150mm.

| Size           | EUTL 650 | EUTL 750 | EUTL 850 | EUTL 950 | EUTL 1050 | EUTL 1150 |
|----------------|----------|----------|----------|----------|-----------|-----------|
| L              | 650      | 750      | 850      | 950      | 1050      | 1150      |
| L <sub>1</sub> | 748      | 848      | 948      | 1048     | 1148      | 1248      |