



 **EVO**
Ultra thin Square



EUTS 650

Product code
Chrome: 13700030
Gold: 13700040

EUTS 750

Product code
Chrome: 13700031
Gold: 13700041

EUTS 850

Product code
Chrome: 13700032
Gold: 13700042

EUTS 950

Product code
Chrome: 13700033
Gold: 13700043

EUTS 1050

Product code
Chrome: 13700034
Gold: 13700044

EUTS 1150

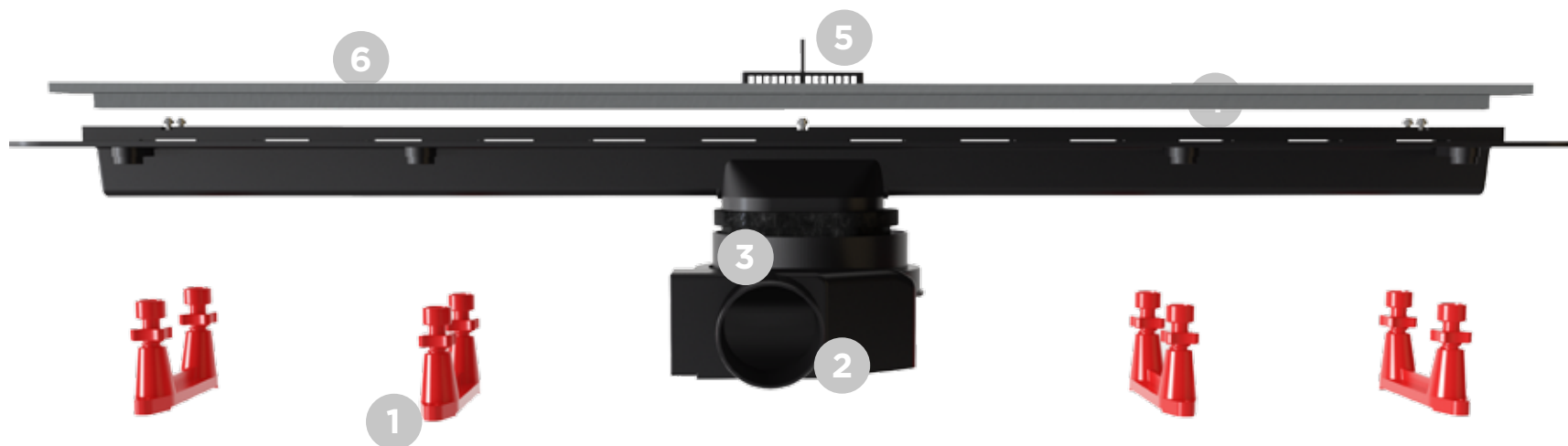
Product code
Chrome: 13700035
Gold: 13700045

EVO Ultra Thin Square

EVO Ultra Thin Square is available in 650mm, 750mm, 850mm, 950mm, 1050mm & 1150mm sizes with design piece "Square" grid made from AISI 304 stainless steel. Grid also have K3 load class and set for levelling of ceramic. Minimum installation height is 77mm and maximum flow rate is 48 l/min which is provided by ultra low 360 degrees rotatable base with 25mm water seal height and output DN 50mm. Model can be cleaned without removing grid so it makes him "Easy 2 Clean" and consist "All you need set" so client have in box everything needed for the installation. Model is available with 24 carat gold finish grid.



EVO Ultra Thin Square parts & specs



77 mm	Ø50 mm	E2C	K3
48 L/min	360°	ALS	25mm
10 Years	14mm-20mm	AISI 304	

Variants of grid finishing:

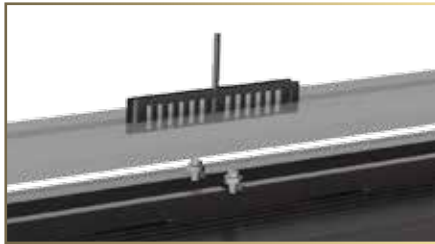
Brushed Chrome
24k Gold plated

Legend:

1. Height adjustment legs.
2. Ultra low S Base
3. Reducer with rubber ring
4. Holder of grid
5. Grid for hair
6. Stainless steel "Square" grid



EVO Ultra Thin Square main advantages



Easy To Clean

Easy cleaning of drain without removing stainless steel grid.



Anti Leaking System

Thanks to new design of holder of grid, all condensed and leaked water under the tile finds its way back to the drain. In complete with self-adhesive butyl tape who comes with product represent Anti Leak System.



Leveling of grid

Model have system for grid leveling so client can have flexibility in choosing surface in bathroom. Adjusting is performed by tightening and loosening of leveling screws in grid carrier. Grid can be leveled from 14mm up to 20mm of distance between holder of grid and top of the grid.

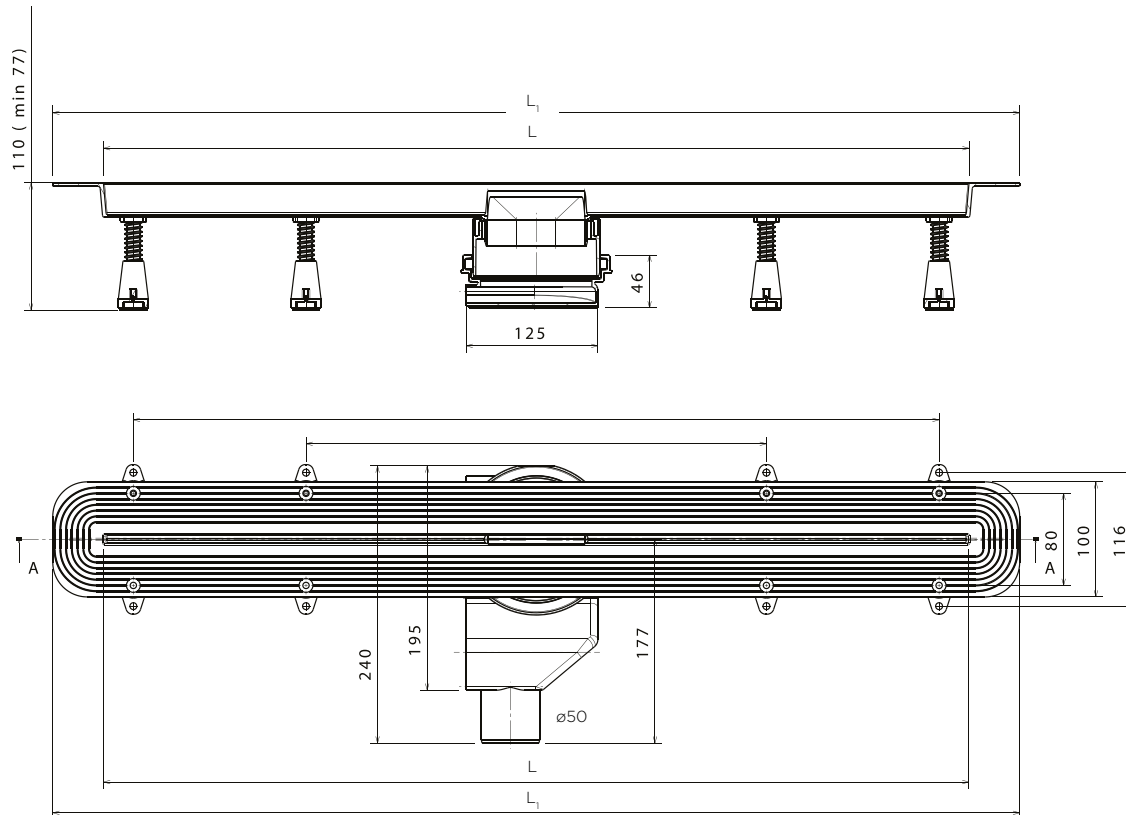


Adjustment of drain height and base position

Universal solution for adjustment of installation height of drain and possibility of rotation of base for 360 degrees.



EVO Ultra Thin Square Technical



Thanks to universal solution for adjustment height of drain (DN 110mm cuttable reducer) EVO ULTRA THIN shower drain have possibility of installation in both renovation and new building bathroom projects. Minimal installation height is 77mm and maximum is 110mm which fulfills all requests of modern buildings. Height adjustment legs enables extra security during installation and use.

EVO ULTRA THIN shower drain is manufactured in different sizes. In dependence of your needs we offer following sizes: 650mm, 750mm, 850mm, 950mm, 1050mm and 1150mm.

Size	EUTS 650	EUTS 750	EUTS 850	EUTS 950	EUTS 1050	EUTS 1150
L	650	750	850	950	1050	1150
L ₁	748	848	948	1048	1148	1248