



 **EVO**  
Ultra thin Wave



### **EUTW 650**

Product code  
Chrome: 13700050  
Gold: 13700060

### **EUTW 750**

Product code  
Chrome: 13700051  
Gold: 13700061

### **EUTW 850**

Product code  
Chrome: 13700052  
Gold: 13700062

### **EUTW 950**

Product code  
Chrome: 13700053  
Gold: 13700063

### **EUTW 1050**

Product code  
Chrome: 13700054  
Gold: 13700064

### **EUTW 1150**

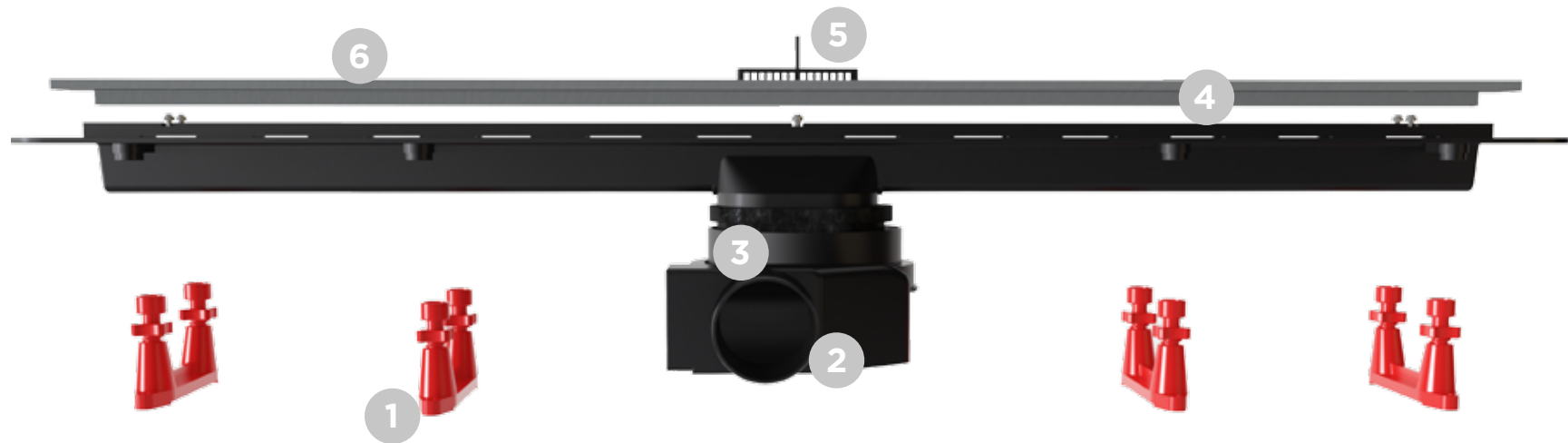
Product code  
Chrome: 13700055  
Gold: 13700065

## EVO Ultra Thin Wave

EVO Ultra Thin Wave is available in 650mm, 750mm, 850mm, 950mm, 1050mm & 1150mm sizes with design piece “Wave” grid made from AISI 304 stainless steel. Grid also have K3 load class and set for levelling of ceramic. Minimum installation height is 77mm and maximum flow rate is 48 l/min which is provided by ultra low 360 degrees rotatable base with 25mm water seal height and output DN 50mm. Model can be cleaned without removing grid so it makes him “Easy 2 Clean” and consist “All you need set” so client have in box everything needed for the installation. Model is available with 24 carat gold finish grid.



## EVO Ultra Thin Wave parts & specs



77 mm	Ø50 mm	E2C	K3
48 L/min	360°	ALS	25mm
10 Years	14mm-20mm	AISI 304	

### Variants of grid finishing:

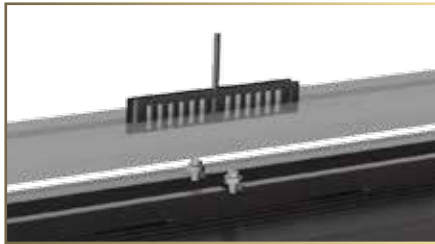
Brushed Chrome  
24k Gold plated

### Legend:

1. Height adjustment legs.
2. Ultra low S Base
3. Reducer with rubber ring
4. Holder of grid
5. Grid for hair
6. Stainless steel "Wave" grid



## EVO Ultra Thin Wave main advantages



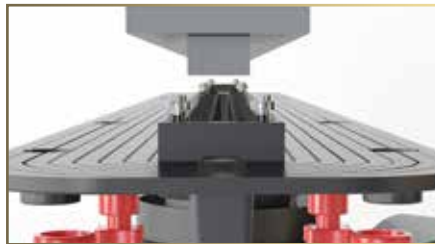
### Easy To Clean

Easy cleaning of drain without removing stainless steel grid.



### Anti Leaking System

Thanks to new design of holder of grid, all condensed and leaked water under the tile finds its way back to the drain. In complete with self-adhesive butyl tape which comes with the product represents the Anti Leak System.



### Leveling of grid

Model has a system for grid leveling so the client can have flexibility in choosing the surface in the bathroom. Adjusting is performed by tightening and loosening of leveling screws in the grid carrier. The grid can be leveled from 14mm up to 20mm of distance between the holder of the grid and the top of the grid.

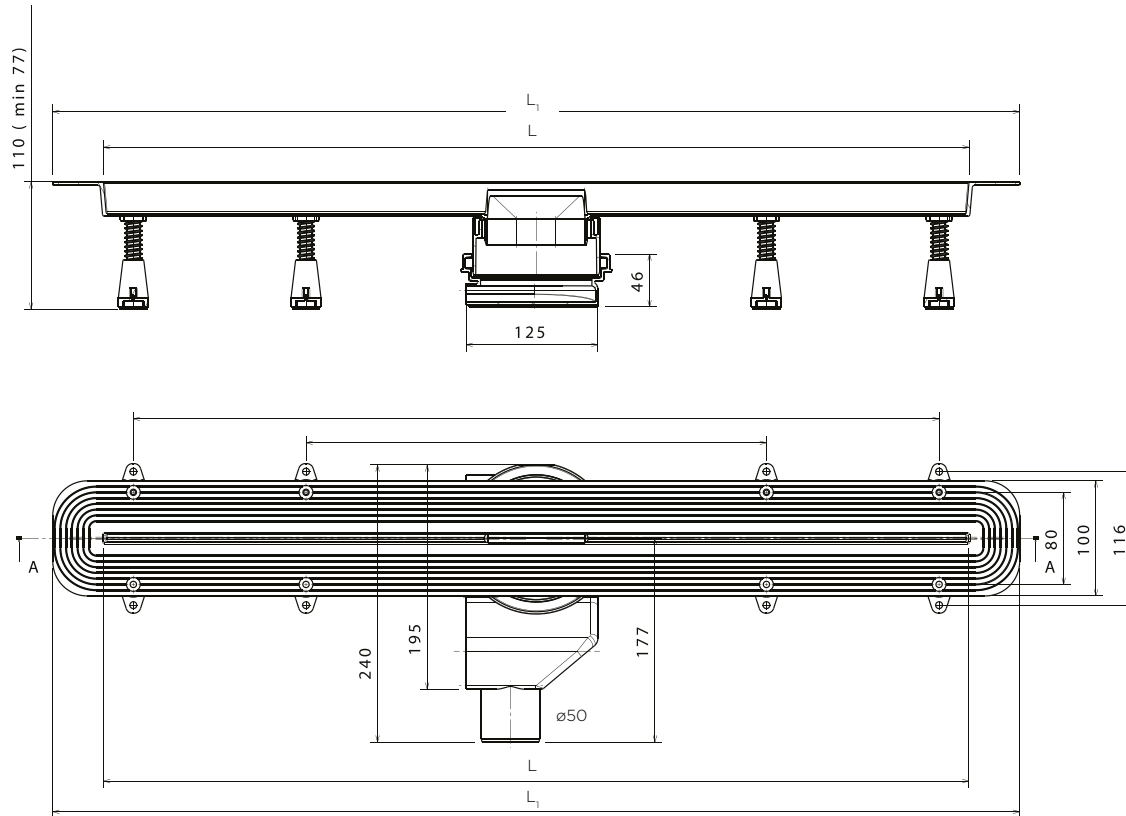


### Adjustment of drain height and base position

Universal solution for adjustment of installation height of the drain and possibility of rotation of the base for 360 degrees.



# EVO Ultra Thin Wave Technical



Thanks to universal solution for adjustment height of drain (DN 110mm cuttable reducer) EVO ULTRA THIN shower drain have possibility of installation in both renovation and new building bathroom projects. Minimal installation height is 77mm and maximum is 110mm which fulfills all requests of modern buildings. Height adjustment legs enables extra security during installation and use.

EVO ULTRA THIN shower drain is manufactured in different sizes. In dependence of your needs we offer following sizes: 650mm, 750mm, 850mm, 950mm, 1050mm and 1150mm.

Size	EUTW 650	EUTW 750	EUTW 850	EUTW 950	EUTW 1050	EUTW 1150
L	650	750	850	950	1050	1150
L <sub>1</sub>	748	848	948	1048	1148	1248