

PRIMO SQUARE METAL

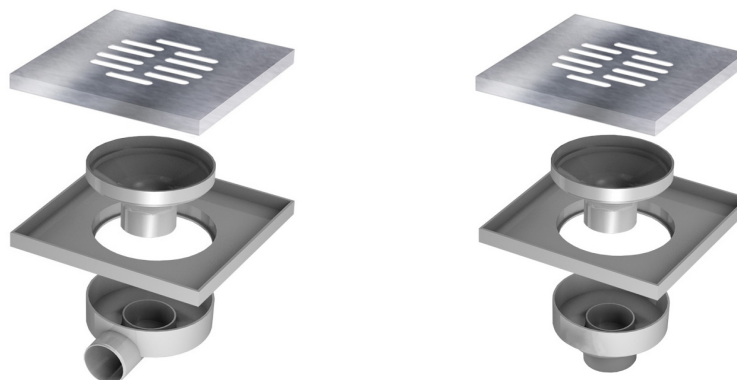


PRIMO SQUARE METAL VERTICAL/ PRIMO SQUARE METAL HORIZONTAL

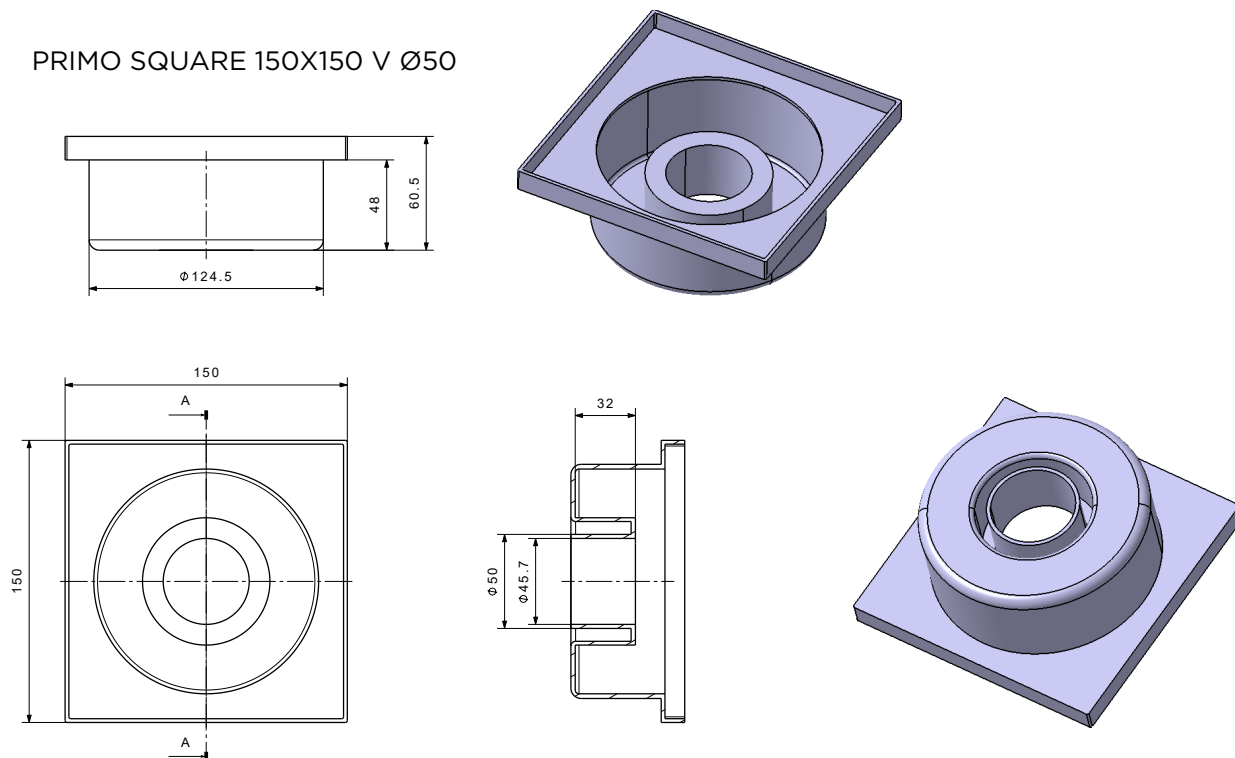
PP stainless steel grid drain is manufactured in 150×150 mm grid size with 4 different types of outlet and polished stainless steel grid made from AISI 304.

IMPORTANT TECHNICAL INFORMATION				
	H Ø50	V Ø50	H Ø75	V Ø75
Minimum installation height	59 mm	47 mm	82 mm	47 mm
Flow rate	48 l/min	48 l/min	84 l/min	84 l/min
Outlet	Ø50	Ø50	Ø75	Ø75
Water seal height	20 mm	15 mm	21 mm	15 mm
Grid material	K3 with stand 300 kg of pressure			
Body material	PP			

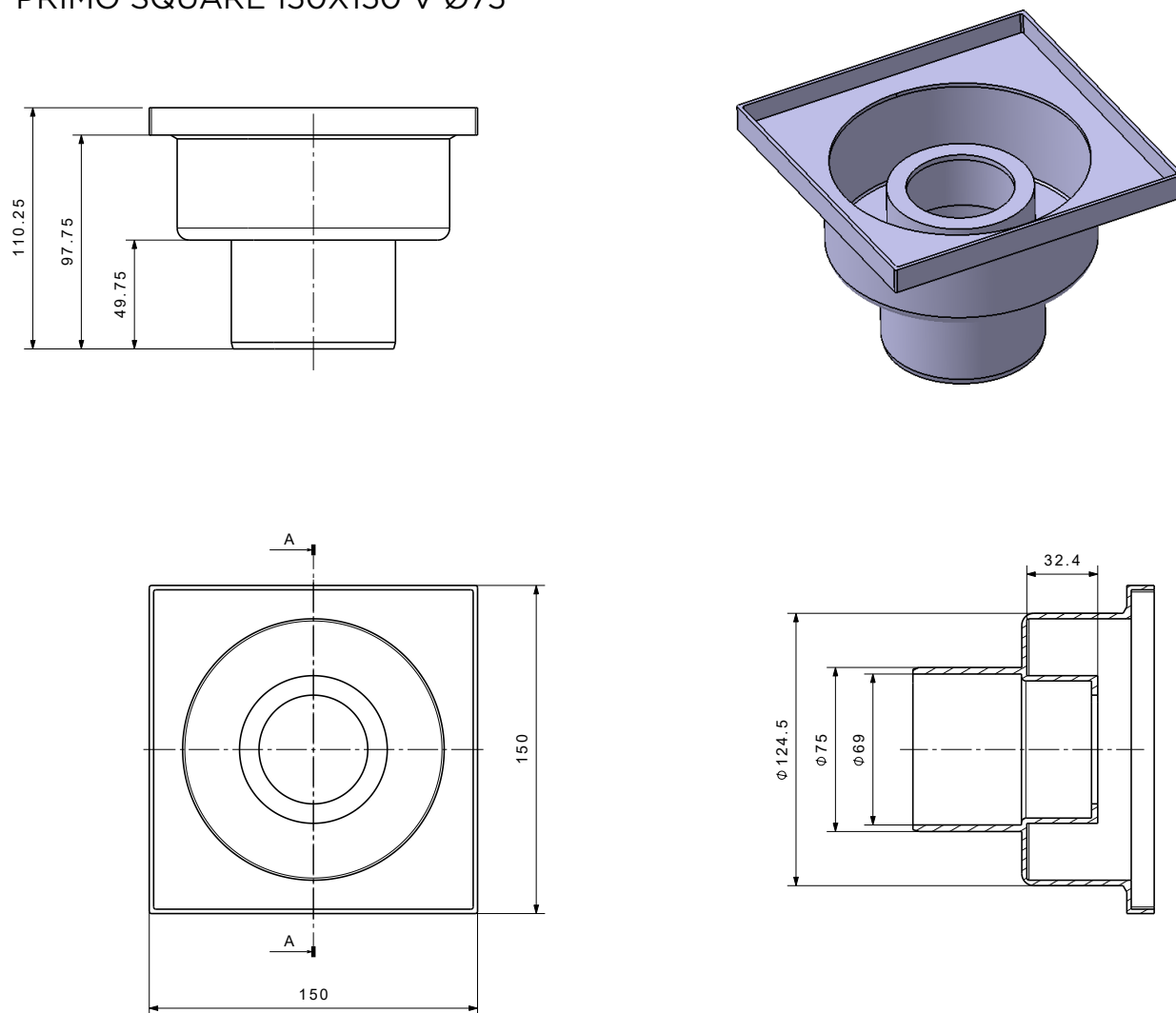
CODE	NAME	WEIGHT	BOX DIMENSIONS/PCS
10299930	PRIMO SQUARE 150X150 METAL H Ø50	0,298 kg	600x400x210/ 20 pcs
10299931	PRIMO SQUARE 150X150 METAL V Ø50	0,292 kg	600x400x210/ 25 pcs
10299940	PRIMO SQUARE 150X150 METAL H Ø75	0,326 kg	400x300x270/ 10 pcs
10299941	PRIMO SQUARE 150X150 METAL V Ø75	0,306 kg	400x300x270/ 10 pcs



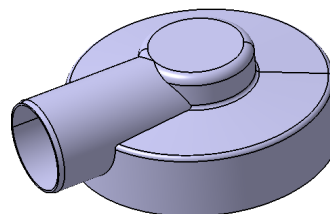
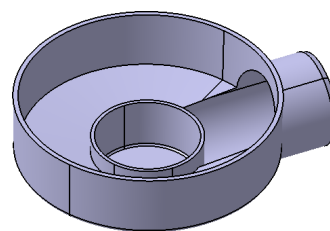
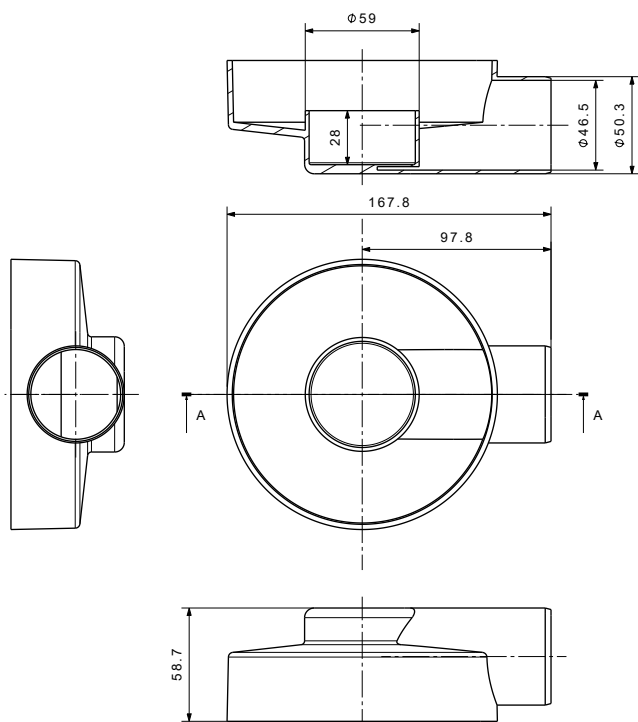
PRIMO SQUARE 150X150 V Ø50



PRIMO SQUARE 150X150 V Ø75



PRIMO SQUARE 150X150 H Ø50



PRIMO SQUARE 150X150 H Ø75

