

PRIMO SQUARE PLASTIC

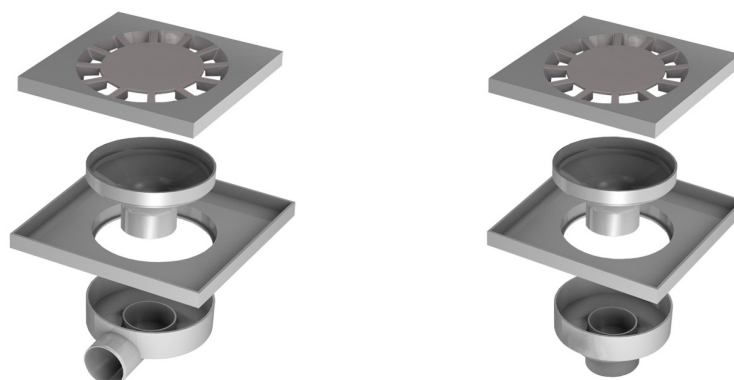


PRIMO SQUARE PLASTIC VERTICAL/ PRIMO SQUARE PLASTIC HORIZONTAL

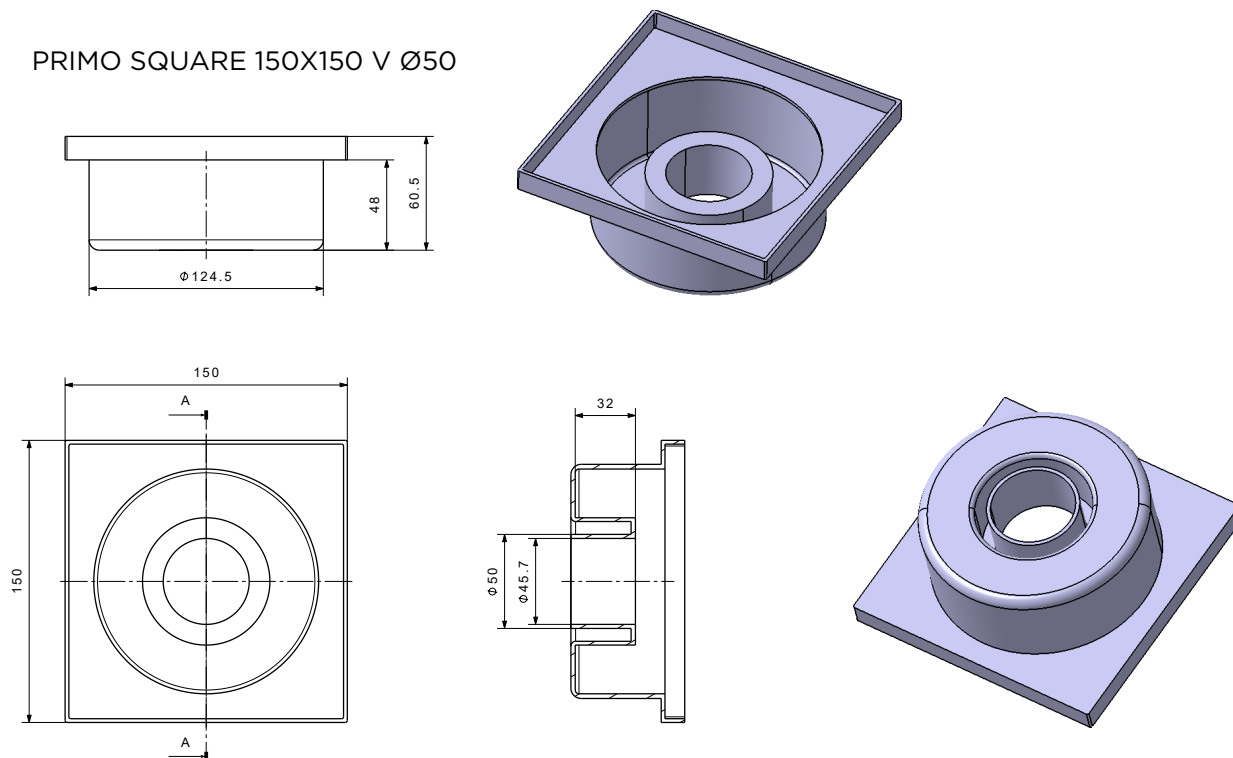
PP plastic grid drain is manufactured in 150×150 mm and 200×200 mm grid size with 4 different types of outlet and grid made from polypropylene.

IMPORTANT TECHNICAL INFORMATION				
	H Ø50	V Ø50	H Ø75	V Ø75
Minimum installation height	59 mm	47 mm	82 mm	47 mm
Flow rate	48 l/min	48 l/min	84 l/min	84 l/min
Outlet	Ø50	Ø50	Ø75	Ø75
Water seal height	20 mm	15 mm	21 mm	15 mm
Grid material	PP			
Body material	PP			

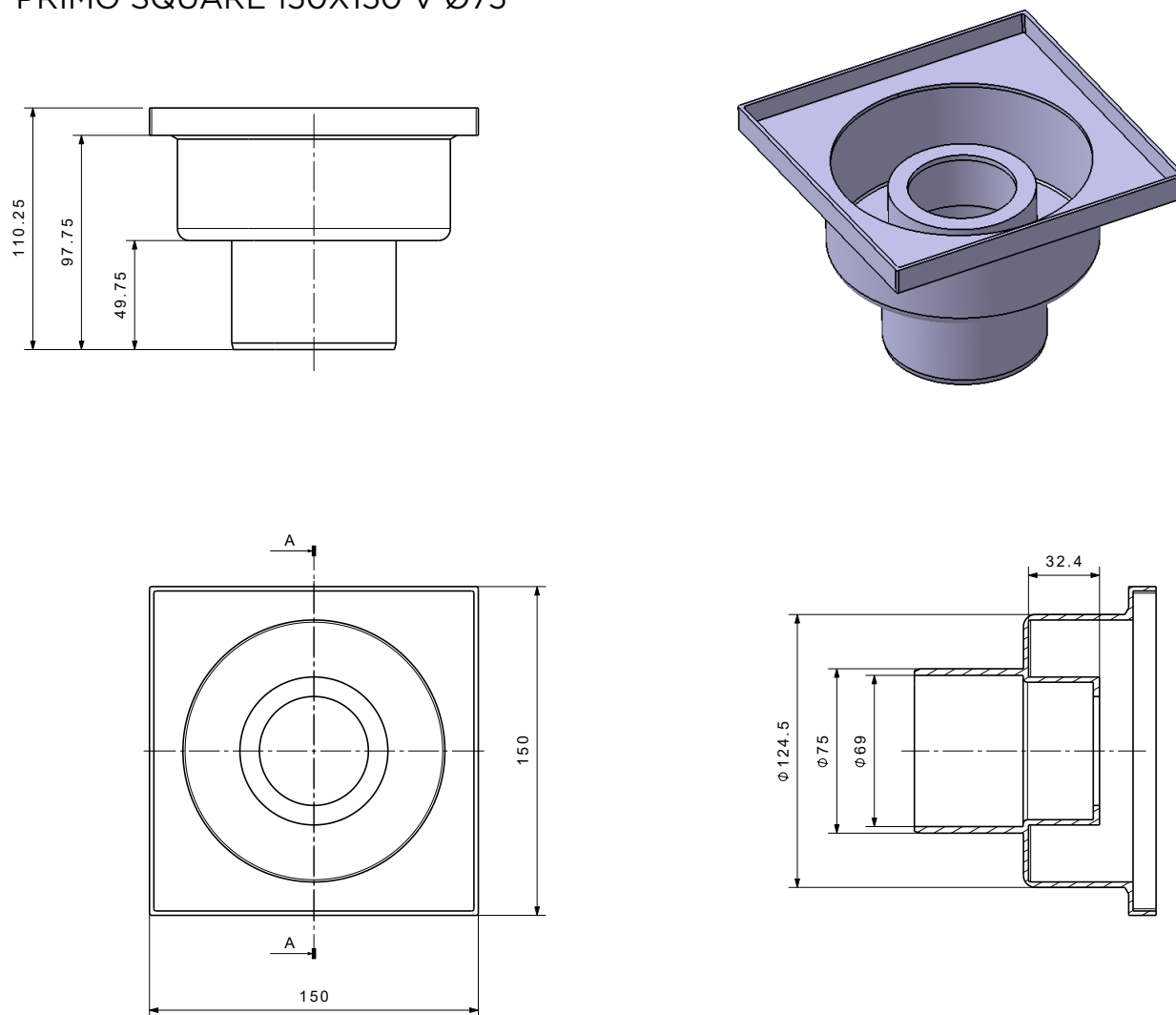
CODE	NAME	WEIGHT	BOX DIMENSIONS/PCS
10299050	PRIMO SQUARE 150X150 PLASTIC H Ø50	0,213 kg	600x400x210/ 20 pcs
10299051	PRIMO SQUARE 150X150 PLASTIC V Ø50	0,213 kg	600x400x210/ 25 pcs
10299060	PRIMO SQUARE 150X150 PLASTIC H Ø75	0,239 kg	400x300x270/ 10 pcs
10299061	PRIMO SQUARE 150X150 PLASTIC V Ø75	0,219 kg	400x300x270/ 10 pcs



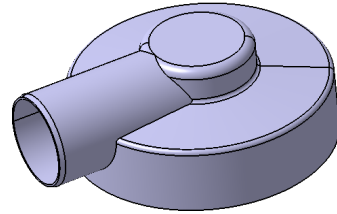
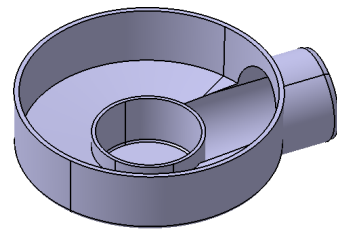
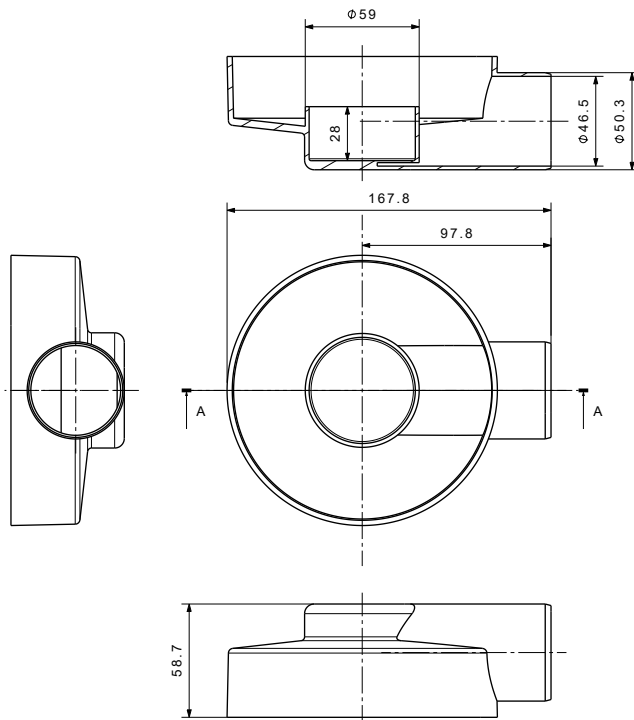
PRIMO SQUARE 150X150 V Ø50



PRIMO SQUARE 150X150 V Ø75



PRIMO SQUARE 150X150 H Ø50



PRIMO SQUARE 150X150 H Ø75

