

## CONFLUO BOARD FRAMELESS LINE



## CONFLUO BOARD FRAMELESS LINE

CONFLUO BOARD is made of peripor styrofoam, density 45 kg/m<sup>3</sup> with CONFLUO FRAMELESS pre-assembled drain for linear drainage inside buildings (shower drains) made of polypropylene with maximum water flow of 48 l/min and dry siphon included, then pre-applied layer of hydroisolation coating type MAPEI MAPELASTIC TURBO and reinforced with mesh-type MAPEI MAPENET, as well as a self-adhesive butyl tape to seal in critical places on the CONFLUO BOARD. The final stainless steel grids is class K3 (up to 300 kg load) dimensions according to the project (550, 750, 850 mm).


Installation of boards and drains is carried out with the realization of a waterproof connection with the waterproofing of the floor, all in accordance with the applicable European and national standards, as well as according to the manufacturer's instructions.

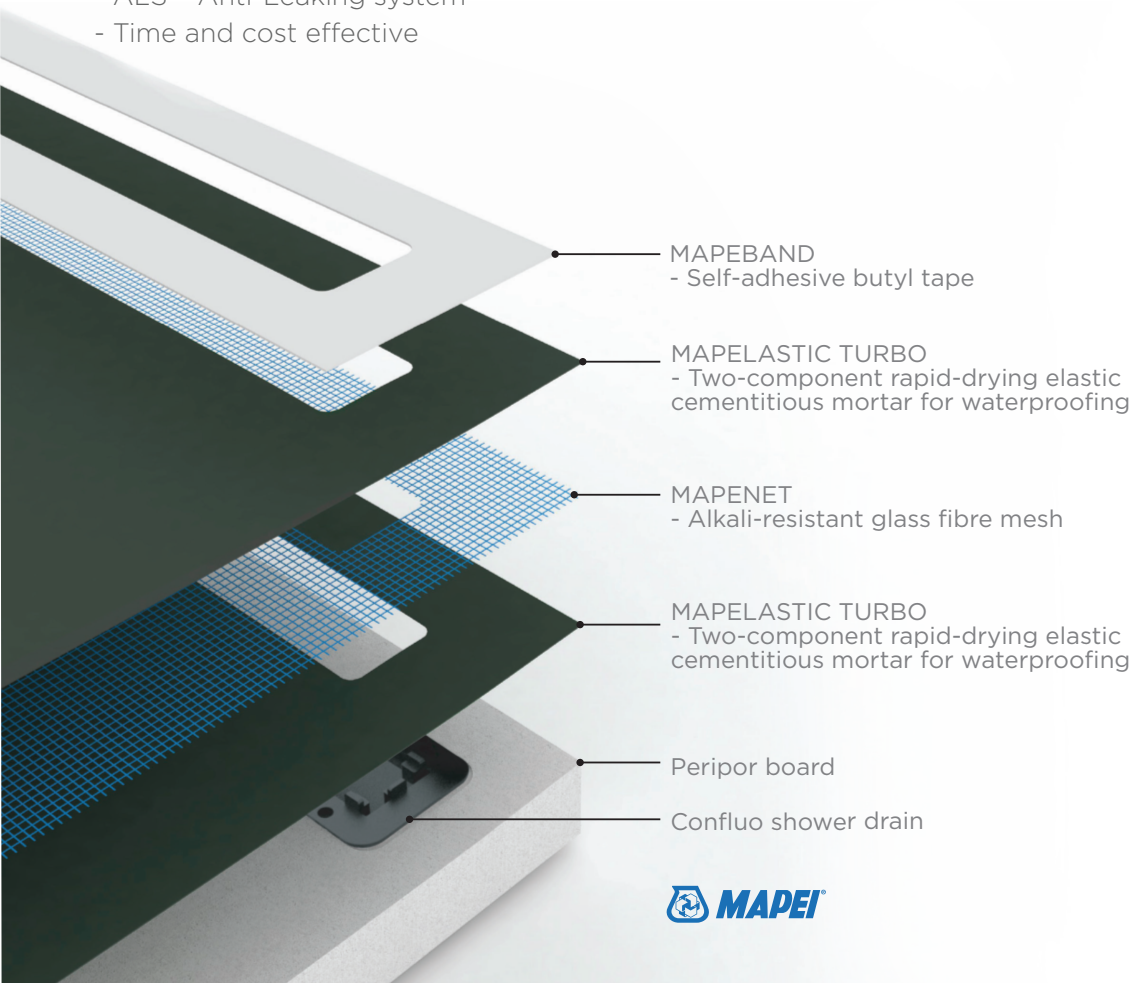
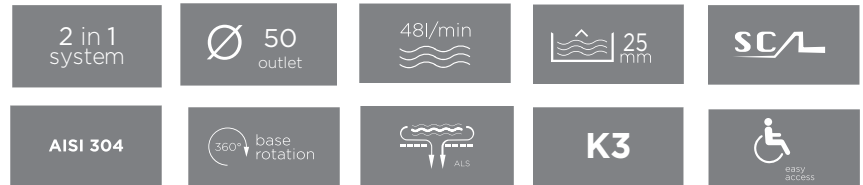
### Grid Design



IMPORTANT TECHNICAL INFORMATION	
Board Dimensions	UNI 900 x 900 x 80/95 mm UNI 1200X1200 x 80/95 mm 900 x 900 x 80/95 mm 900 x 900 x 38/52 mm 1200 x 1200 x 80/95 mm 1200 x 1200 x 35/54 mm
Drain Dimensions	550 mm - 900 x 900 mm UNI 550 mm - 1200 x 1200 mm UNI 750 mm - 900 x 900 mm Boards 850 mm - 1200 x 1200 mm Boards
Board material - Density	Peripor - 45 kg/m
Waterproofing	MAPELASTIC Turbo two-components rapid-drying elastic cementitious mortar and MAPEI waterproofing butyl tape
Flow rate (by EN 1253)	48 l/min
Load class of grid (by EN 1253)	K3 - 300 kg of pressure
Grid material	AISI 304 / Black & White Glass / 24k Gold coated
Body material	ABS (holder of grid) / PP (Reducer, S base)

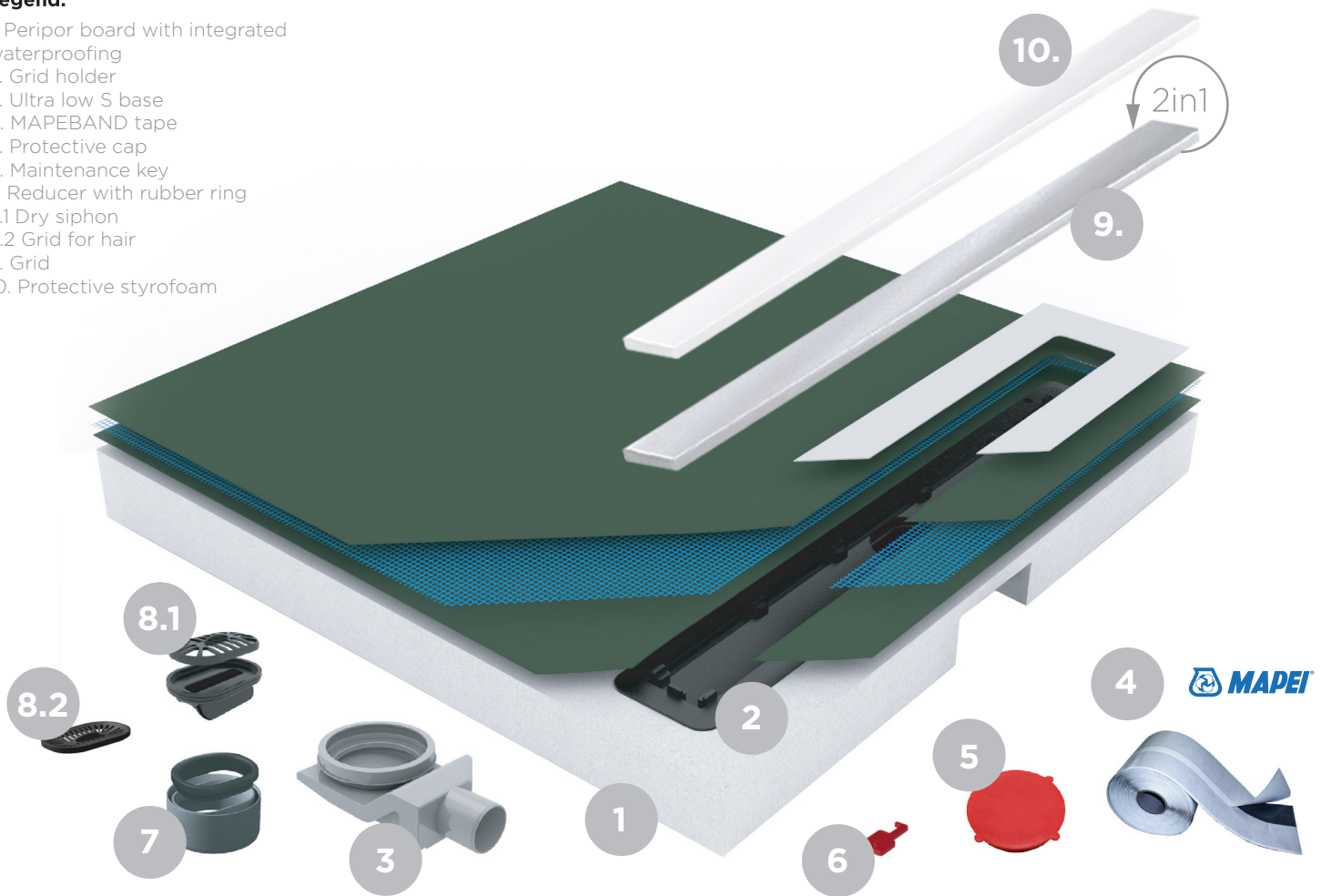
## MAIN ADVANTAGES:

-  MAPEI waterproofing
- Peripor board - 45kg/m<sup>3</sup>
- Maximum flow rate - 48l/min
- Excellent impact resistance
- Low weight
- ALS - Anti-Leaking system
- Time and cost effective

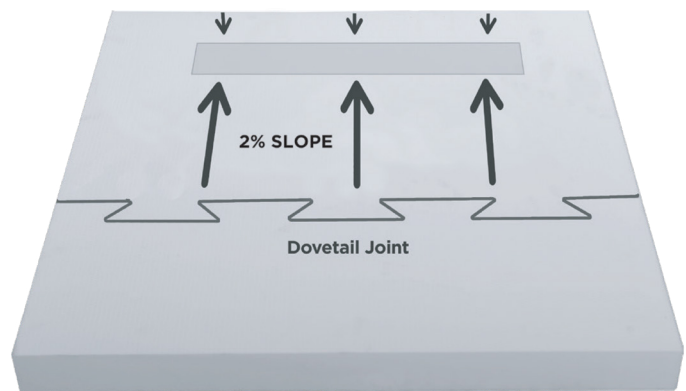


**Legend:**

- 1. Peripor board with integrated waterproofing
- 2. Grid holder
- 3. Ultra low S base
- 4. MAPEBAND tape
- 5. Protective cap
- 6. Maintenance key
- 7. Reducer with rubber ring
- 8.1 Dry siphon
- 8.2 Grid for hair
- 9. Grid
- 10. Protective styrofoam

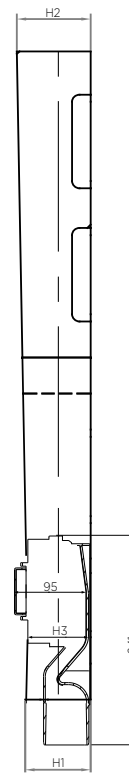
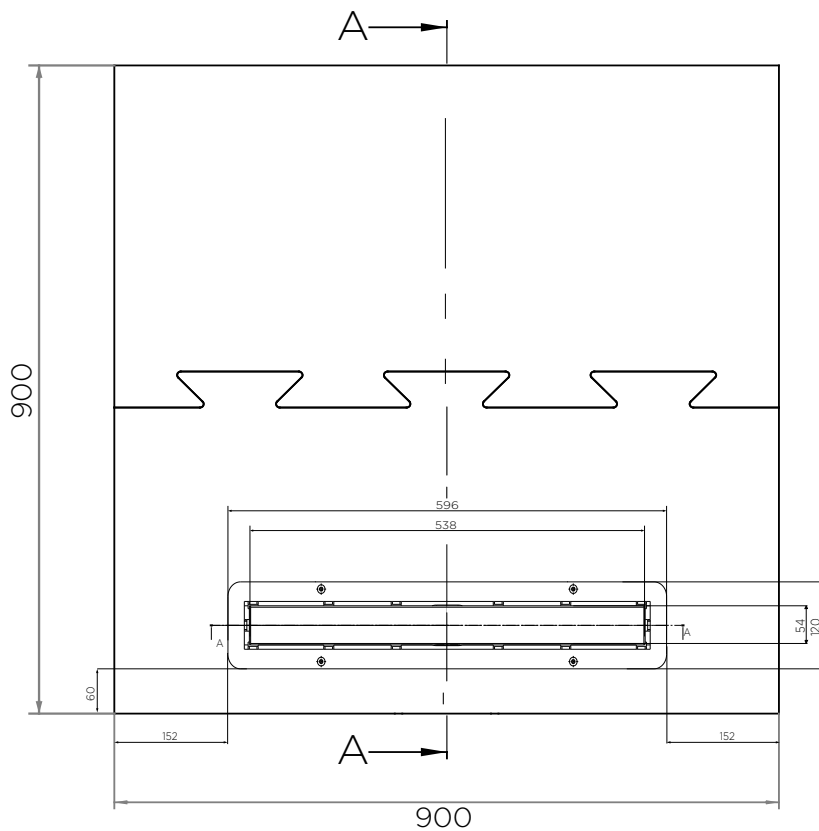


A great benefit of the Confluo “Board” preinstalled shower drains is that installation time and price is significantly reduced as a board have integrated slopes and applied MAPEI waterproofing.



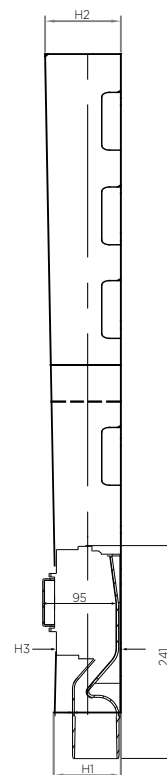
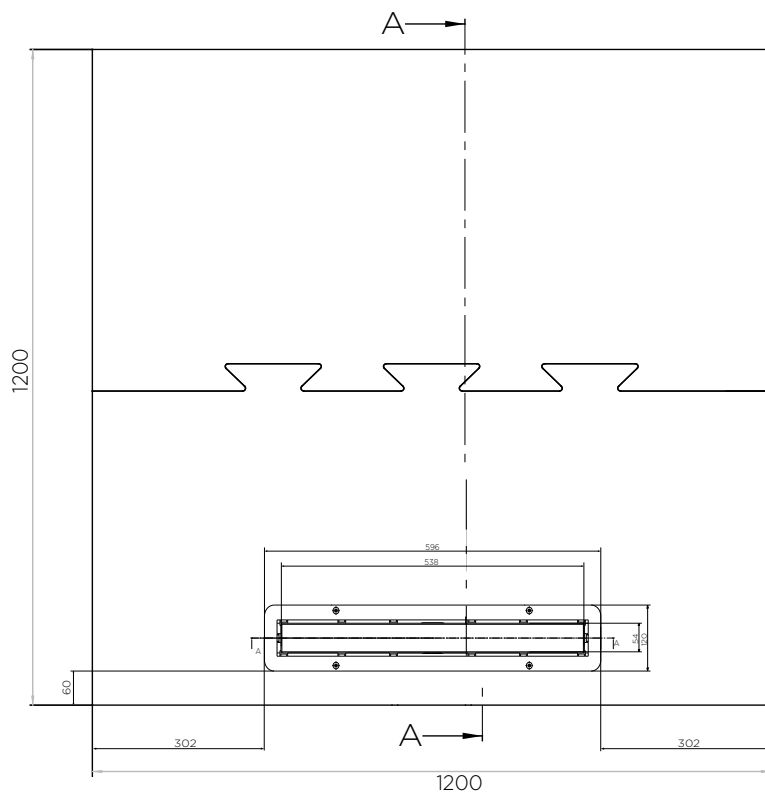
\* Board and grid are sold separately

- In 1200x1200 mm Confluo Board is integrated Frameless Line 850 mm
- In 900x900 mm Confluo Board is integrated Frameless Line 750 mm
- In Confluo UNI Board is integrated Frameless Line 550 mm



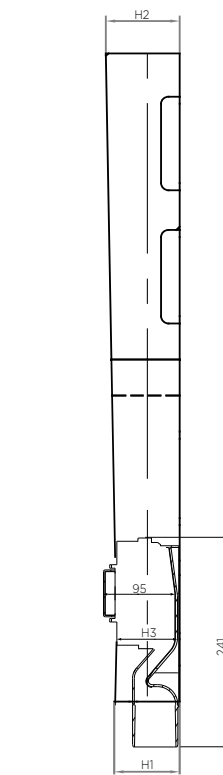
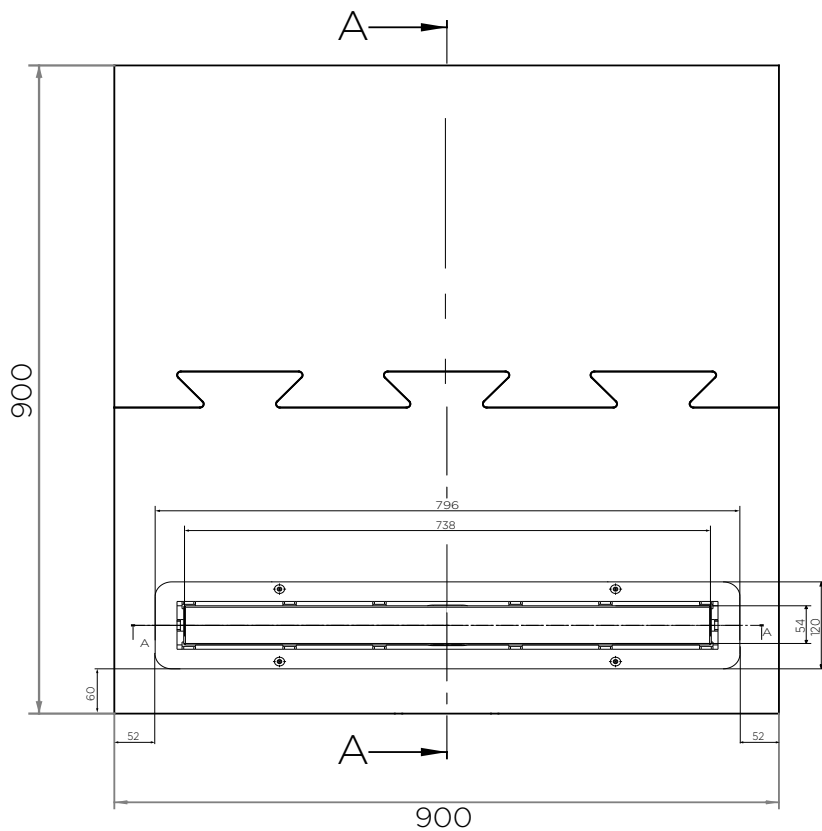
SECTION A-A

Code	Name	H1	H2	H3
40007821	CONFLUO BOARD FRAMELESS UNI 900	80	95	77



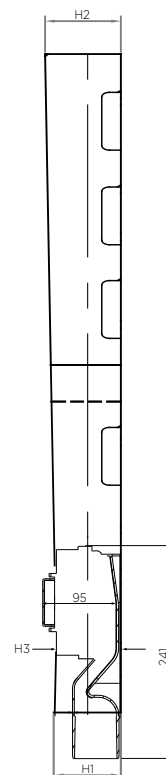
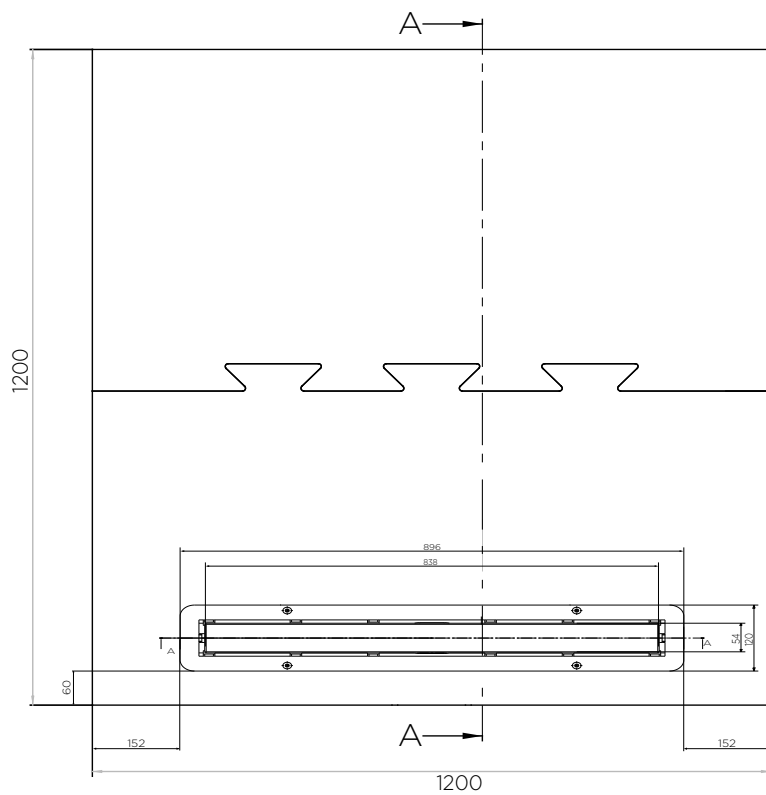
SECTION A-A

Code	Name	H1	H2	H3
40007822	CONFLUO BOARD FRAMELESS UNI 1200	80	95	77



SECTION A-A

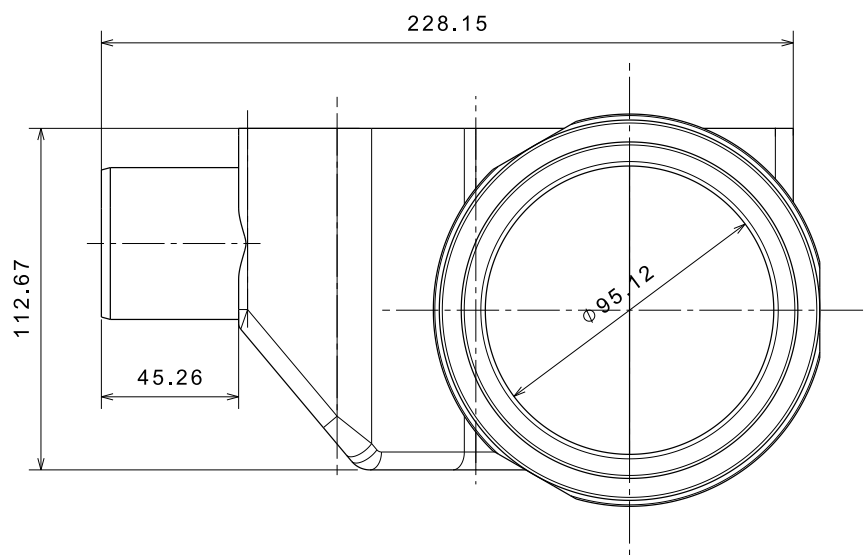
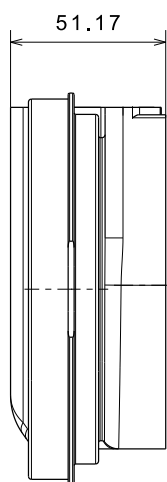
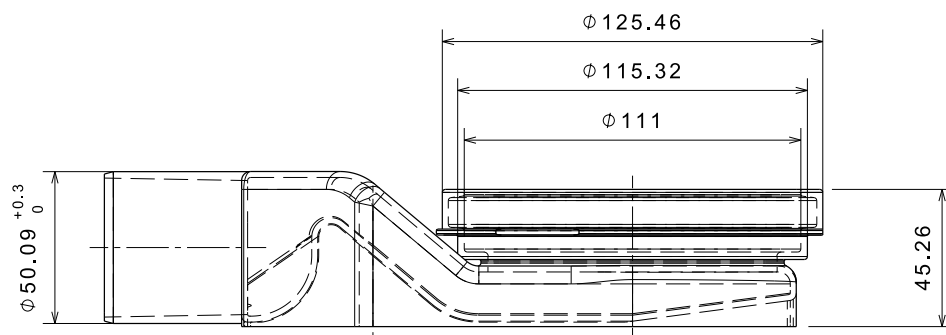
Code	Name	H1	H2	H3
40007526	CONFLUO BOARD FRAMELESS 900X900X 80/95	80	95	77
40007528	CONFLUO BOARD FRAMELESS 900X900X 38/52	38	52	35



SECTION A-A

Code	Name	H1	H2	H3
40007529	CONFLUO BOARD FRAMELESS 1200X1200X 80/95	80	95	77
40007530	CONFLUO BOARD FRAMELESS 1200X1200X 35/54	35	54	33

Code	Name	Weight	Box dimensions
40007821	CONFLUO BOARD FRAMELESS UNI 900	8,5 kg	930 X 910 X 100 cm
40007822	CONFLUO BOARD FRAMELESS UNI 1200	12, 6 kg	1230 X 1210 X 105 cm
40007526	CONFLUO BOARD FRAMELESS 900X900X 80/95	8,5 kg	930 X 910 X 100 cm
40007528	CONFLUO BOARD FRAMELESS 900X900X 38/52	8,5 kg	930 X 910 X 100 cm
40007529	CONFLUO BOARD FRAMELESS 1200X1200X 80/95	12, 6 kg	1230 X 1210 X 105 cm
40007530	CONFLUO BOARD FRAMELESS 1200X1200X 35/54	12, 6 kg	1230 X 1210 X 105 cm



*Ultra low S base*

