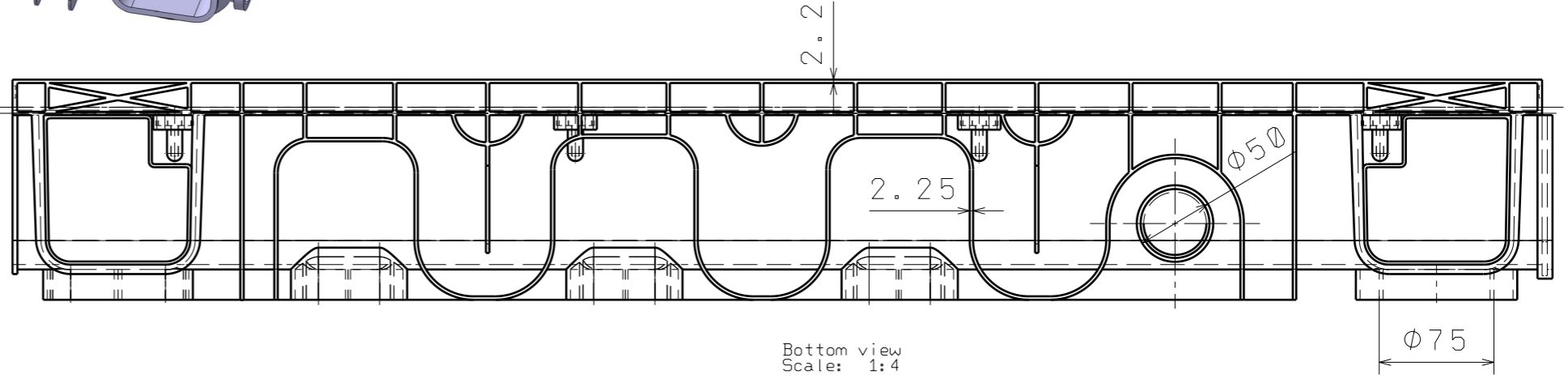
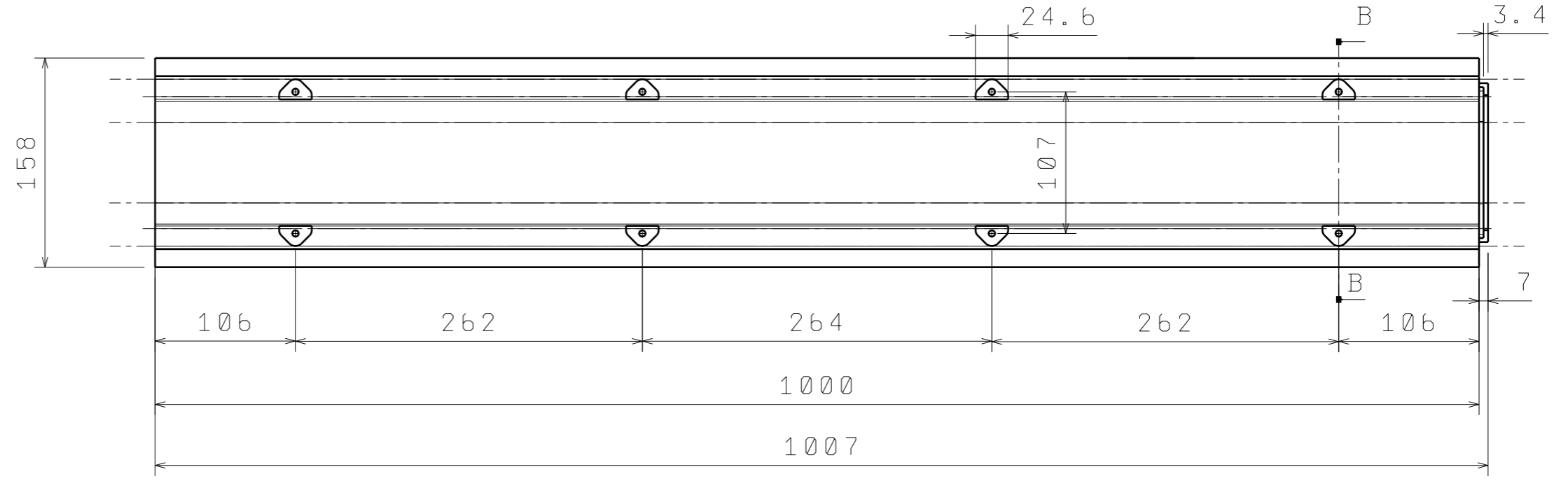
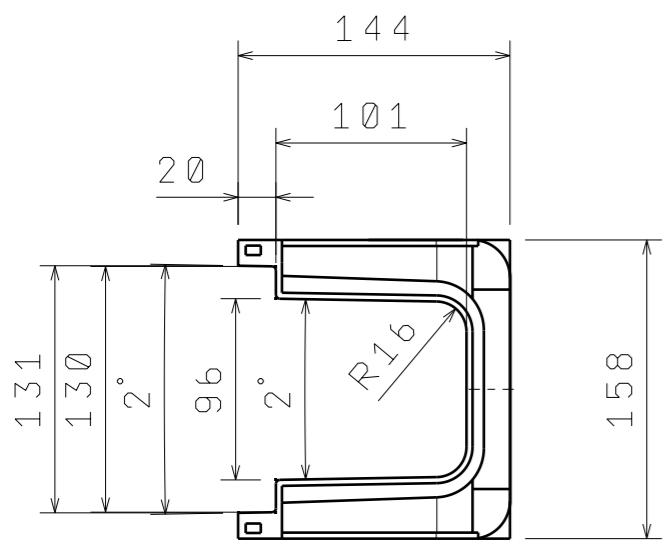


Isometric view
Scale: 1:6



Bottom view
Scale: 1:4



Front view
Scale: 1:4

This drawing is our property. It can't be reproduced or communicated without our written agreement.				
DRAWN BY Malisic Uros		DRAWING TITLE BAZA PARKING SLIVNIKA		
DATE 28.08.2023	CHECKED BY	SIZE A3	DRAWING NUMBER 28082023-1	REV
APPROVED BY	DATE	SCALE	WEIGHT(kg)	MATERIAL SHEET