



**VEDRO**

# **UPUTSTVO ZA MONTAŽU**

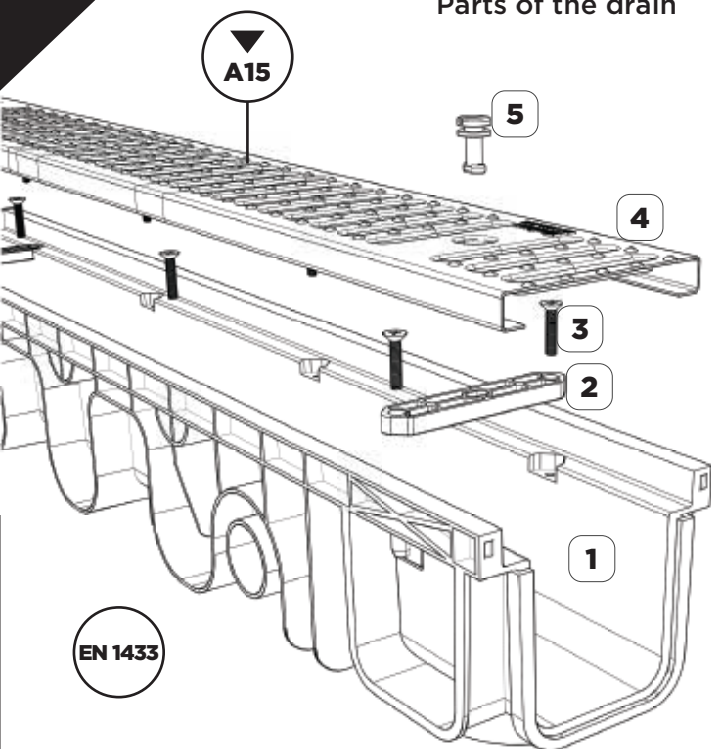
slivnika za spoljnu odvodnju kišnice

---

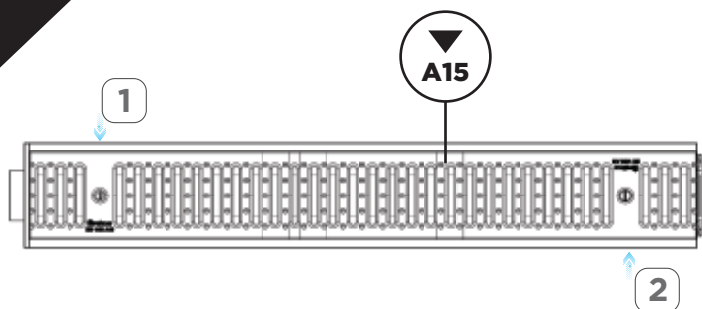
Installation instructions of drains for  
outdoor drainage of rainwater

# DELOVI SLIVNIKA

Parts of the drain

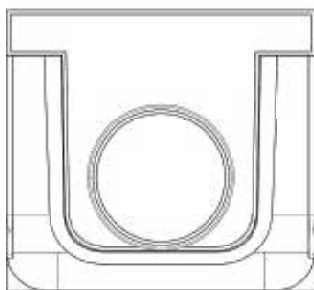


1. Baza slivnika / The base of the drain
2. Most za kačenje rešetke / Bridge for hanging the grid
3. Šrafovi za mostove / Bridge screws
4. Rešetka slivnika / Drain grid
5. Locker (ključ) za slivnik / Locker (key) for the sink



Rešetka slivnika sadrži rupe za dva locker-a ili ključa koji služe za pričvršćivanje rešetke za bazu slivnika.

The drain grid contains holes for two lockers or keys they are used to fasten the grid to the base of the drain.

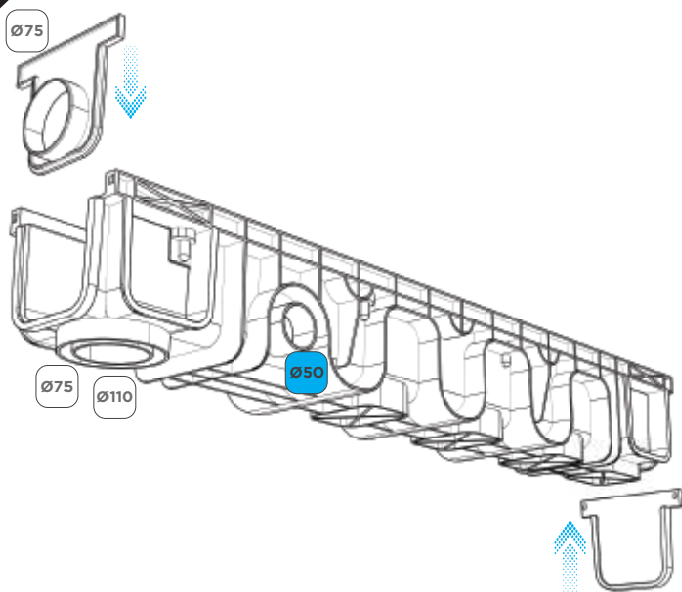


Čelo baze sa čepom i perforacijom za nastavak cevi ulaz Ø75.

Entire base with split and perforation for pipe extension entrance Ø75.

# ČEPOVI KANALICA

Parts of the drain



Čepovi slivnika su pozicionirani sa obe čeone strane slivnika. Na sebi imaju perforaciju i mogućnost nastavljanja cevi  $\varnothing 75$ . Na dnu slivnika se nalazi mogućnost nastavljanja cevi  $\varnothing 75$  i  $\varnothing 110$ . Obe bočne strane imaju po jedan  $\varnothing 50$  izlaz koji se može, takođe prema potrebi, preseći na perforaciji.

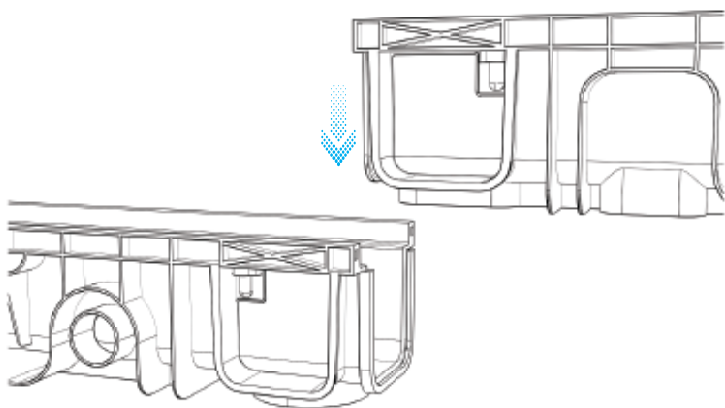
The drain plugs are positioned from both sides of the drain. They have perforations and possibilities of pipe extension  $\varnothing 75$ . At the bottom of the drain is the possibility of continuing pipes  $\varnothing 75$  and  $\varnothing 110$ . Both sides have one outlet  $\varnothing 50$  that can be cut on the perforation if necessary.



VEDRO

# NASTAVLJANJE KANALICA

Modular connection



Spajanje ili nastavljanje kanalice se vrši jednostavno, spuštanjem muškog ulazana dole prema ženskom.

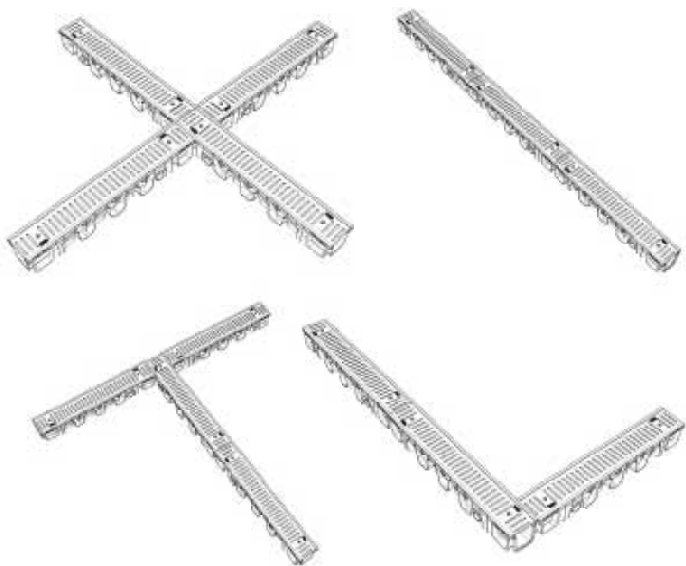
Connecting or continuing drains is done simply, by lowering the male entrance down towards the female entrance.



VEDRO

# NASTAVLJANJE KANALICA

Modular connection

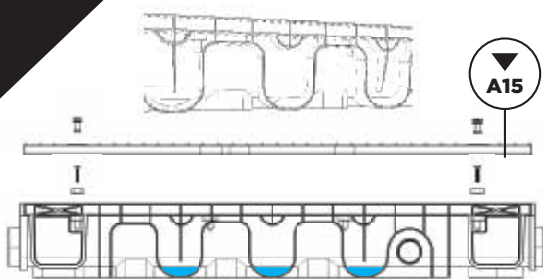


Sa svake bočne strane se nalaze po 2 izlaza, odnosno ukupno 4 perforacije za nastavak kanalica prema potrebama izvođača radova. Izlazi sa bočnih strana kanalice su muški i spuštanjem na ženski se nastavljaju prema potrebi. Na čeonim stranama se nalaze po jedan muški, odnosno sa druge čeonice strane ženski ulaz. Moguće je napraviti nekoliko kombinacija i to u L, I, T i X obliku.

There are 2 outlets on each side, a total of 4 perforations for the continuation of the drains according to the needs of contractors. There are male outlets from the sides of the drain and by descending to the female, they continue as needed. On the frontal side there is one male and from other frontal side there is female entrance. It is possible to make several combinations in L, I, T and X shape.



VEDRO



Vedro slivnik je dizajniran tako da ima izuzetno jaku, a pre svega stabilnu strukturu bez pomeranja u tlu. Njegova estetski dinamična i fluidna rebra se protežu sa jednog prema drugom kraju slivnika. Donja strana slivnika je pažljivo isprepletana rebrima radi ojačanja noseće strukture slivnika. Ležište rešetke ima ojačanja sa obe strane da bi bez problema prošla sve zahteve standarda EN 1433 odnosno A15 klasu nosivosti. Ta rebra ojačavaju bočne strane ležišta rešetke. Sa strane, gde se nalaze izlazi za cev Ø50, rebra pažljivo štite te izlaze, obuhvatajući ih i nastavljajući svoj dinamični tok prema drugom kraju kanalice, ojačavajući kompletnu strukturu. Što se tiče dodatnog ojačanja stabilnosti kanalice, na samom dnu, na tri mesta se nalaze prolazi, ispod same kanalice. Razlog tome je ukoliko se naliva beton, kada se spoji masa betona sa leve i desne strane, ispod same kanalice, to dodatno povećava stabilnost kanalice na toj poziciji. Prolazi ispod kanalice kroz rebra su označeni plavom bojom. U ponudi će biti i plastične rešetke u nekoliko boja.

The Vedro drain is designed so that it has an extremely strong and stable structure without movement in the ground. Its aesthetically dynamic and fluid ribs extend from one towards the other end of the drain. Bottom side of the drain is carefully interlaced with ribs for reinforcement bearing structures of the drain. The grid ledge has reinforcements on both sides so it can complete all the requirements of the EN 1433 standard and A15 load class. Those ribs strengthen the sides of the grid ledge. On the side, where there are outlets for pipe Ø50, the ribs carefully protect those outlets, including them and continuing its dynamic flow towards the other drain end, strengthening the complete structure. Regarding the additional strengthening of the drain's stability, at the very bottom, in three places, there are passages. The reason for this is useful when connect the mass of concrete on the left and right, below drain, it additionally increases the stability of the drain on that one position. Passages under the drain through the ribs are marked blue color. The offer will also include plastic grids in several colors.



**VEDRO**

+381 034 700 300  
office@pestan.net

Put 1300 kaplara 188  
Arandelovac  
34300 Srbija

---

**WWW.PESTAN.NET**